

KIRA B 50

English	2
Français	6
Español	11



**Register
your product**

www.kaercher.com/welcome



Contents

General instructions	2
Intended use	2
IMPORTANT SAFETY INSTRUCTIONS	2
OPERATING SAFETY RULES AND PRACTICES	2
MAINTENANCE AND REBUILD PRACTICES ...	3
FIRE SAFETY STANDARD	3
Safety instructions.....	3
Unloading.....	5
Charging the battery	5
Downloading the operating instructions	5
Checking the device.....	6
Switching on the device	6
Displaying the operating instructions on the touch screen	6
Rules for autonomous operation.....	6
Troubleshooting guide.....	6

General instructions



Read these original instructions before using the device for the first time and act in accordance with them.

Keep these operating instructions for future reference or for future owners.

These operating instructions are an excerpt from the operating instructions that must be enclosed with the device as a printed version due to the applicable regulations.

Before using the device for the first time, also read the complete operating instructions, which can be accessed on the device display or downloaded to a smartphone. This device may contain components licensed under an open source licence and/or developed by third parties. A list of the open source software components present in the device (including copyright holders and licence conditions) can be displayed on the touch screen of the device. To view, open the main menu, go to Settings and open System Info.

User groups

These instructions are intended for the user groups Users and Administrator.

Each user can be granted or denied permissions for various device functions via the touch screen of the device. All descriptions in this manual refer to the standard settings suggested in the device for the respective user group.

Intended use

This device is suitable for commercial and industrial use, e.g. in hotels, schools, hospitals, factories, shops, offices, and rental companies. Use the device only in accordance with the information in these operating instructions.

- The device may only be used for cleaning smooth surfaces that are insensitive to water and polishing.
- The device is designed for indoor use.
- This device is only suitable for use in dry areas.
- The operational temperature range is between +5 °C and +40 °C.
- The device is not suitable for cleaning frozen floors (e.g. in cold stores).
- The device is suitable for a maximum water height of 1 cm. Do not drive into an area if there is a danger of exceeding the maximum water height.
- When using chargers or batteries, only the components approved in the operating instructions may be used. A different combination must be confirmed by the responsible charger and/or battery supplier.
- The device is not intended for cleaning public traffic routes.
- The device must not be used on pressure-sensitive floors. Take into account the permissible load per unit area of the floor. The load per unit area caused by the device is specified in the technical data.
- The device is not suitable for use in potentially explosive environments.
- The device is approved for operation on surfaces with a maximum slope (see chapter "Technical Data").

IMPORTANT SAFETY INSTRUCTIONS

READ ALL INSTRUCTIONS BEFORE USING THIS APPLIANCE

⚠ WARNING

To reduce the risk of fire, electric shock, or injury: DO NOT LEAVE appliance unattended when plugged in. Unplug from outlet when not in use and before servicing.

⚠ **WARNING**
TO REDUCE THE RISK OF ELECTRIC SHOCK-USE INDOORS ONLY

⚠ **WARNING**
DO NOT USE FOR CLEANING PURPOSES ON SURFACES HAVING A GRADIENT EXCEEDING THAT MARKED ON THE MACHINE

ATTENTION
THE MACHINE SHALL BE PARKED SAFELY

- Do not allow to be used as a toy. Close attention is necessary when used by or near children.
- Use only as described in this manual. Use only manufacturer's recommended attachments.
- Do not use with damaged cord or plug. If the unit is not working as it should, has been dropped, damaged, left outdoors, or dropped into water, return it to a service center.
- Do not pull or carry by the cord, do not use cord as a handle, do not close a door on the cord, or pull cord around sharp edges or corners. Do not run appliance over cord. Keep cord away from heated surfaces.
- DO NOT UNPLUG BY PULLING CORD. To unplug, grasp plug, not cord.
- Do not handle plug or appliance with wet hands.
- Do not put any objects into openings. Do not use if openings are blocked; keep free of dust, lint, hair, and anything that may reduce air flow.
- KEEP HAIR, CLOTHING, LOOSE JEWELRY, FINISHERS and all parts of the body away from openings and moving parts.
- Turn off all controls before unplugging.
- Use extra care when cleaning on stairs.
- Do not use to pick up flammable or combustible liquids, such as gasoline, or use in areas where they may be present.
- Connect to a properly grounded outlet only. See Grounding Instructions.
- Always disconnect cord from electrical outlet before servicing appliance.
- Never sweep off explosive liquids, combustible gases or undiluted acids and solvents. This includes petrol, paint thinner or heating oil which can generate explosive fumes or mixtures upon contact with the air. Acetone, undiluted acids and solvents must also be avoided as they can harm the materials on the machine.
- Do not vacuum up burning or smouldering objects!

GROUNDING INSTRUCTIONS

This device must be grounded. If it should malfunction or break down, grounding provides a path of least resistance for electric current to reduce the risk of electric shock.

This device is equipped with a cord having an equipment grounding conductor and ground plug. The plug must be plugged into an appropriate outlet that is properly installed and grounded in accordance with all local codes and ordinances.

⚠ DANGER

Improper connection of the equipment grounding conductor can result in a risk of electrocution.

Check with a qualified electrician or service personnel if you are in doubt as to whether the outlet is properly grounded.

Do not modify the plug provided with the product - if it will not fit the outlet, have a proper outlet installed by a qualified electrician.

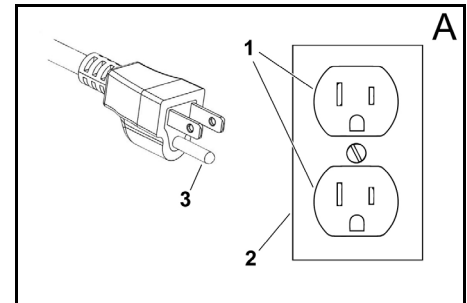
Do not use any type of adapter with this product.

This appliance is for use on a nominal 120-volt circuit and has a grounding attachment plug that looks like the plug illustrated in Figure A.

Make sure that the appliance is connected to an outlet having the same configuration as the plug.

No adaptor should be used with this appliance.

CONNECT TO A PROPERLY GROUNDED OUTLET ONLY



- ① Grounded outlet
- ② Grounded outlet box
- ③ Grounding pole

OPERATING SAFETY RULES AND PRACTICES

Owner/User Responsibility

The owner and/or user must have an understanding of the manufacturer's operating instructions and warnings before using this device.

Warning information should be emphasized and understood.

If the operator is not fluent in English, the manufacturer's instructions and warnings shall be read to and discussed with the operator in the operator's native language by the purchaser/ owner, making sure that the operator comprehends its contents.

Owner and/or user must study and maintain for future reference the manufacturers' instructions.

General

Before starting operation, the device must be in the operating position.

Do not start or operate the device, any of its functions or attachments, from any place other than from the designated operator's position.

Before leaving the operator's position:

- 1 bring the device to a complete stop;
 - 2 if the device must be on an incline, block the wheels.
- Maintain a safe distance from the edge of ramps, platforms, and other similar working surfaces.

Do not add to, or modify the device.

Do not block access to fire aisles, stairways or fire equipment.

Traveling

Yield the right of way to pedestrians and emergency vehicles such as ambulances and fire trucks.

Cross railroad tracks at an angle wherever possible. Do not park closer than 6 ft (1800 mm) to the nearest rail of a railroad track.

Keep a clear view of the path of travel and observe for other traffic, personnel, and safe clearances.

Under all travel conditions, operate the device at a speed that will permit it to be brought to a stop in a safe manner.

Do not indulge in stunt driving or horseplay.

Slow down for wet and slippery floors. Before driving over a dockboard or bridge plate, be sure that it is properly secured. Drive carefully and slowly across the dockboard or bridge plate, and never exceed its rated capacity.

When negotiating turns, reduce speed to a safe level consistent with the operating environment. Make the turns smoothly.

Operator care of the device

If the device is found to be in need of repair or in any way unsafe, or contributes to an unsafe condition, the matter shall be reported immediately to the user's designated authority, and the device shall not be operated until it has been restored to safe operating condition. If during operation the device becomes unsafe in any way, the matter shall be reported immediately to the user's designated authority, and the device shall not be operated until it has been restored to safe operating condition.

Do not make repairs or adjustments unless specifically authorized to do so.

MAINTENANCE AND REBUILD PRACTICES

Operation of the device may be hazardous if maintenance is neglected or repairs, rebuilds, or adjustments are not performed in accordance with the manufacturer's design criteria. Therefore, maintenance facilities (on or off premises), trained personnel, and detailed procedures shall be provided.

Maintenance and inspection of the device shall be performed in conformance with the following practices:

- 1 a scheduled planned maintenance, lubrication, and inspection system shall be followed; consult the manufacturer's recommendations.
- 2 Only trained and authorized persons shall be permitted to operate a powered floor scrubber. Operators of powered floor scrubbers shall be qualified as to visual, auditory, physical, and mental ability to operate the equipment safely.

Avoid fire hazards and have fire protection equipment present in the work area. Do not use open pans of fuel or flammable cleaning fluids for cleaning parts.

FIRE SAFETY STANDARD

Any device not in safe operating condition shall be removed from service.

Repairs shall not be made in Class I, Class II, and Class III locations.

Fire Prevention. The device shall be kept in a clean condition and reasonably free of lint, excess oil, and grease.

Noncombustible agents are preferred for cleaning the device. Flammable liquids [those having flash points at or above 100°F (37.8°C)] are not allowed. Precautions regarding toxicity, ventilation, and fire hazard shall be appropriate for the agent or solvent used.

Nameplate Visibility. The device type designations as shown on the nameplate and the type markers shall not be covered over with paint so that their identification information is obscured.

Safety instructions

Before using the device for the first time, read and observe these operating instructions and the complete operating instructions (in the device display).

- Operate the device only when the hood and all covers are closed.
- Press the emergency-off button for immediate shutting down in an emergency.
- Only operate the device on surfaces that do not exceed the maximum permitted slope (see the "Technical data" section).
- Do not place any part of your body between the docking station and the device during the docking process.

Hazard levels

⚠ DANGER

- Indication of an imminent threat of danger that will lead to severe injuries or even death.

⚠ WARNING

- Indication of a potentially dangerous situation that may lead to severe injuries or even death.

⚠ CAUTION

- Indication of a potentially dangerous situation that may lead to minor injuries.

ATTENTION

- Indication of a potentially dangerous situation that may lead to damage to property.

Protective gear

⚠ CAUTION

- Wear suitable gloves when working with the device.

General safety instructions

⚠ DANGER

- Risk of asphyxiation. Keep packaging film out of the reach of children.

⚠ WARNING

- Only use the device for its proper use. Take into account the local conditions and beware of third parties, in particular children, when working with the device.
- The device is not intended for use by persons with restricted physical, sensory or mental abilities or those lacking in experience and / or lacking in knowledge.
- Only people who have been instructed on how to use the device, or have proven their ability to operate it, and have been explicitly instructed to use it, must use the device.
- Children must not operate the device.
- Children must be supervised to prevent them from playing with the appliance.
- Keep children and unauthorised persons away from the device.

⚠ CAUTION

- Safety devices are provided for your own protection. Never modify or bypass safety devices.

⚠ WARNING

Risk of injury from petrol cap!
Risk of crushing limbs due to unexpected closing of the petrol cap.

Open the petrol cap as far as it will go to avoid accidental closing.

Close the petrol cap only when there are no limbs between the tank and the petrol cap.

Risk of electric shock

⚠ DANGER

- The voltage indicated on the type plate must match the voltage of the power source.
- Never touch the mains plug and socket with wet hands.
- Only connect protection class I devices to properly earthed power sources.

⚠ WARNING

- Only connect the device to an electrical connection which has been set up by a qualified electrician as per IEC 60364-1.
- Switch off the device immediately in the event of leaks.
- In the case of any foam formation or escaping liquids, switch off the device immediately and remove the mains plug from the docking station or the charger.
- Check that the mains connection cable with mains plug is undamaged each time before using the device. To avoid any possible danger, a damaged mains connection cable must be immediately replaced by the manufacturer, or the authorised customer service department or a qualified electrician.
- Do not damage the power supply and extension cable by running over it, crushing or yanking it or similar. Protect the power supply cable from heat, oil and sharp edges.
- Only use the mains connection cable prescribed by the manufacturer, including when replacing the cable. For order no. and type see operating instructions.
- Do not allow the mains connection to come into contact with rotating brushes.
- Only replace couplings on the power supply or extension cable with those with the same splash guard and the same mechanical strength.

Operation

⚠ DANGER

- Before startup, check the device as described in the chapter "Checking the device".
- Observe the rules for autonomous operation as described in the chapter "Rules for autonomous operation".
- When using the device in hazard zones (e.g. service stations), adhere to the respective safety regulations.
- Operation in explosive atmospheres is prohibited.
- Never spray or vacuum fluids, flammable gases, explosive dusts as well as undiluted acids and solvents. These include petrol, paint thinners or

heating oil, which can form explosive vapours or mixtures through suction air turbulence, also acetone, undiluted acids and solvents because these attack the materials used in the machine.

- Never use the device to extract any burning or smouldering objects.

⚠ WARNING

- Never use the device to vacuum up people or animals.
- Do not use the device on slippery floors.
- On inclined surfaces, do not exceed the value for the angle of inclination to the side and in the travel direction in the operating instructions.
- Wear tight-fitting clothing to avoid being caught by rotating parts (no tie, no long, wide skirt, etc.).

⚠ CAUTION

- Users must be adequately instructed in the use of the device.
- Check the device and the accessories each time before operation, in particular the mains connection and extension cable, to make sure it is safe and working correctly. Pull out the mains plug in case of any damage and do not use the device.
- Do not transport passengers with the device.
- Never open the cover while the motor is running.
- The device is not suitable for sucking dust that is harmful to health.

ATTENTION

- Do not operate the device at temperatures below 0 °C.
- The device is not a vacuum cleaner. Do not extract more liquid than you sprayed. Never use the device for extracting dry dirt.
- The device is only suitable for use on the coats listed in the operating instructions.
- The device is suitable for damp to wet soil up to 1 cm water height. Do not drive into areas where the water height is more than 1 cm.
- Observe the legal regulations when disposing of waste water and brine.

- Do not use the device outdoors.

Operation with detergent

- ⚠ **CAUTION** ● Keep the detergent out of the reach of children.
- Never use the recommended detergents undiluted. These products are operationally safe since they do not contain any acids, alkali or substances that are harmful to the environment. Should detergents come into contact with eyes, rinse these out immediately and thoroughly using water and seek medical attention immediately. The same applies if detergents are swallowed.
- Only use the detergents recommended by the manufacturer and observe the application, disposal and warning instructions of the detergent manufacturers.

Battery

Lithium-ion batteries are built into this device. These are subject to special criteria. Removal and installation as well as testing of defective batteries may only be carried out by Kärcher customer service or a qualified specialist.

For storage and transport instructions, please contact your Kärcher Customer Service.

⚠ DANGER

Modifications and alterations to the device are not permitted.

You must not open the battery, there is a danger of a short circuit. Irritating vapours or corrosive liquids can also escape.

Do not expose the battery to strong sunlight, heat or fire. There is a danger of explosion.

Do not operate the charger in an explosion-hazard environment.

Do not use a dirty or wet charger.

Ensure sufficient ventilation during the charging process.

Danger of explosion. Keep naked flames away from the battery or the battery charging room, and do not generate sparks or smoke in the vicinity of a battery of a battery charging room.

Danger of explosion. Do not place any tools or objects on the battery, i.e. on the end poles and cell connectors.

⚠ WARNING

Check the device and the mains cable for damage before each use. Do not use damaged devices and have damaged parts repaired by qualified personnel only.

Keep children away from batteries and charger.

Do not charge damaged batteries. Have damaged batteries replaced by Kärcher customer service.

Do not throw a defective battery in the household rubbish. Inform Kärcher Customer Service.

Avoid contact with fluid leaking from defective batteries. In case of accidental contact, rinse the liquid with water.

In case of contact with the eyes, consult a doctor as well.

⚠ CAUTION

Be sure to observe these operating instructions. Adhere to the recommendations of the legislature regarding the handling of batteries.

The mains voltage must match the voltage indicated on the type plate of the device.

Operate the battery only with this device. It is forbidden and dangerous to use it for other purposes.

Devices with rotating brushes

⚠ CAUTION

- Unsuitable brushes endanger your safety. Only use the brushes supplied with the device or brushes recommended in the operating instructions.

Care and service

⚠ WARNING

- Before cleaning, service, replacing parts and switching over to another function, you must switch off the device and remove the ignition key. Disconnect the mains plug on mains-operated devices. On battery-operated devices, pull the battery plug or disconnect the battery.

⚠ CAUTION

- Have repair work, installation of spare parts and work on electrical components carried out by the authorised customer service only.
- Repairs may only be carried out by approved customer service sites or staff qualified in this area who are familiar with all relevant safety instructions.
- Clean the water level limit facility regularly, checking for any signs of damage.

ATTENTION

- Pay attention to the safety inspection for mobile devices for industrial use in accordance with the locally applicable regulations
- Short-circuits or other damage. Do not clean the device with a hose or high-pressure water jet.

Accessories and spare parts

- ⚠ **CAUTION** ● Only use accessories and spare parts which are approved by the manufacturer. Only original accessories and original spare parts ensure that the appliance will run fault-free and safely.

Transport

⚠ CAUTION

- Shut the motor down prior to transportation. Secure the device, taking into account its weight. See chapter Technical data in the operating instructions.

Safety devices

⚠ CAUTION

Missing or modified safety devices

Safety devices are provided for your own protection. Never modify or bypass safety devices.

Note

The safety functions of the device are not affected in the absence of a network connection.

Emergency-off button

If the emergency off button is pressed, all cleaning and driving functions are stopped immediately.

Safety switch

The device stops if both safety switches are released during manual operation.

In autonomous operation, actuation of a safety switch triggers an operating pause of 10 seconds.

Distance sensor

The distance sensors detect obstacles and cause the device to circumnavigate the obstacles. The distance sensors comply with laser protection class 1 according to IEC 60825-1:2014.

Optical sensor

The optical sensors detect obstacles and cause the device to circumnavigate the obstacles. The optical sensors comply with laser protection class 1 according to IEC 60825-1:2014.

Docking station

This device is suitable for commercial and industrial use, e.g. in hotels, schools, hospitals, factories, shops, offices, and rental companies.

⚠ WARNING

Users must be adequately instructed in the use of the docking station.

Use the docking station in dry areas only.

Unplug the docking station mains plug from the mains socket before carrying out any maintenance work.

Prevent the mains cable of the docking station from coming into contact with the rotating brushes of the floor cleaner.

⚠ CAUTION



Use the docking station indoors only.

Store the docking station indoors only.

Warning symbols

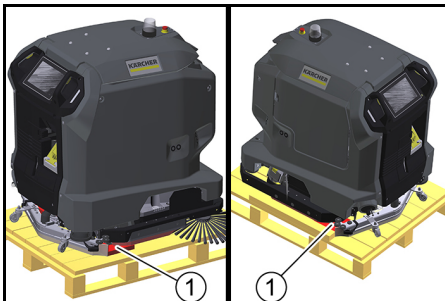
Observe the following warnings when handling the batteries:

	Observe notes in the instructions for the battery, on the battery and in these operating instructions.
	Wear eye protection.
	Keep acids and batteries away from children.
	Risk of explosion
	Fire, sparks, open flames and smoking are prohibited.
	Risk of acid burns
	First aid.
	Warning

	Disposal
	Do not throw batteries in the bin.

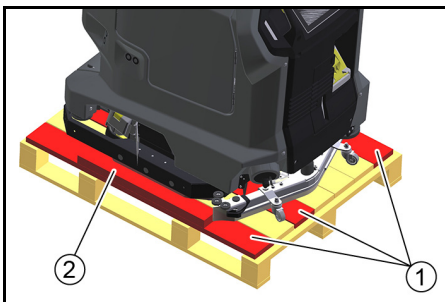
Unloading

1. Remove the cardboard box together with the wooden reinforcing timbers from the wooden base.
2. Remove the strap.
3. Unscrew the two blocks.



① Wooden block

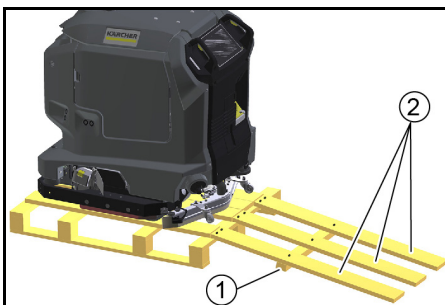
4. Unscrew the boards and the squared timber from the wooden base.



① Board

② Beam

5. Use the unscrewed boards and the squared timber to lay a ramp behind the wooden base.



① Beam

② Board

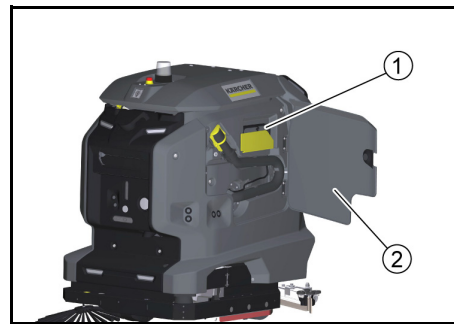
6. Fix the boards and the squared timber with the previously removed screws.
7. Pull the device backwards off the wooden base.

Charging the battery

The battery is automatically charged when operating with a docking station.

Without docking station:

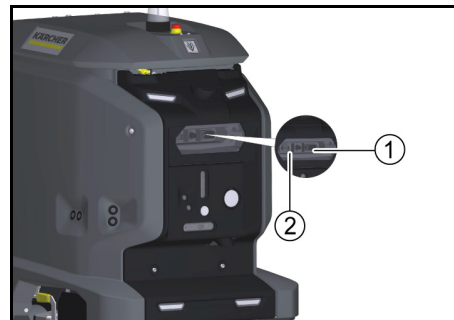
1. Open the door of the device compartment.



① Charging cable

② Device compartment door

- a Pull out the charging cable.
- b If the device does not have a charging cable, plug a mains cable with an IEC plug into the mains socket on the docking port.



① Mains socket

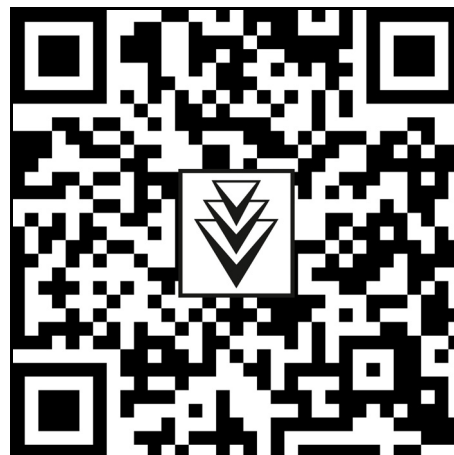
② Docking port

2. Plug the mains plug of the charging cable into a mains socket. The charging process begins automatically. The charging state is displayed on the touch screen. The device cannot be used during the charging process. The charging process takes about 8 hours when the battery is fully discharged.
3. Unplug the mains plug from the socket after the charging process has finished.
4. Stow the mains cable in the device compartment or unplug the power cable from the docking port.

Downloading the operating instructions

After startup, the operating instructions of the device can be displayed on the touch screen. If the operating instructions are also downloaded to a smartphone, the operating steps can be read in parallel with the operation.

1. Scan the following code on the smartphone and follow the instructions to download the operating instructions.



Checking the device

⚠ WARNING

Danger of accident

A damaged or defective device can lead to accidents during operation.

Check the device before use and report any damage or malfunctions to the person responsible.

Do not use the device if it is damaged or malfunctions.

1. Check the device for leaks.
2. Check the functionality of the emergency-off button.
3. Check both safety switches for function (does the device brake when both safety switches are released in manual operation?).

⚠ DANGER

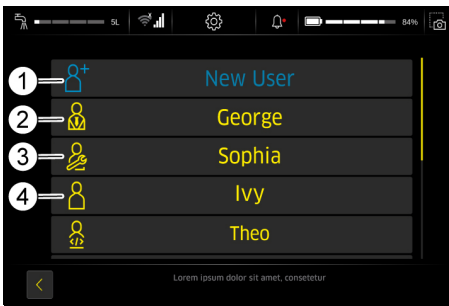
Danger of accident due to defective safety switches

Shut the device down immediately if one or both safety switches do not reliably return to the non-actuated position.

4. Check the sensors for soiling, clean if necessary.
5. Restart the device.
6. Check the function of the sensors (does the device detect obstacles?).

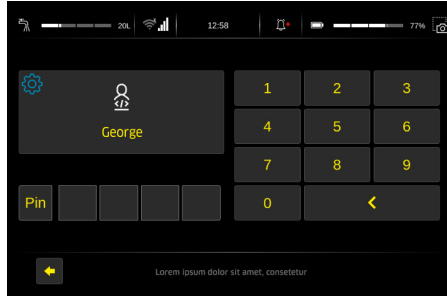
Switching on the device

1. Unlock the Emergency-Off button by turning it.
2. Press the start button.
The device starts up.
3. Wait until the log-in screen is displayed on the touch screen.

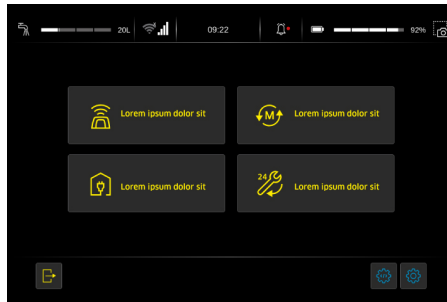


- ① New user
- ② Administrator
- ③ Service
- ④ Users

- Administrator: Can use the full range of functions of the device and has all user permissions.
 - Service: Only available for customer service.
 - Users: Can use the range of functions defined by the permissions granted by Administrator.
4. Create a new user profile.
 5. Assign a password.



The executable functions are displayed in the main menu.



Displaying the operating instructions on the touch screen

The operating instructions enclosed with the device only cover the activities for startup and a troubleshooting guide in case of a defective touch screen.

The complete operating instructions can be called up and displayed on the touch screen after the device has been started up.

1. Press the "Service" button in the main menu.
2. Press the "Operating manual" button
The operating instructions are displayed on the touch screen.

Rules for autonomous operation

For the reliable and safe execution of autonomous operation, the following rules must be observed.

1. Limit the cleaning area with barriers at the following points:
 - Steps
 - Stairs
 - Escalators, moving walkways
 - Lifting platforms
2. Do not place ladders, scaffolding or other temporary obstacles in the cleaning area.
3. Do not leave electric cables or other low obstacles (up to 15 cm high) in the cleaning area.
4. Routes for autonomous operation must not pass through lifts or automatically opening doors. Use lifts and automatic doors only in manual operation.
5. Keep a sufficient distance away from water basins and glass surfaces.
6. Avoid direct, strong light incidence (e.g. low sun) on the sensors.
7. Avoid crossing strong light/shadow boundaries.
8. In autonomous routes, do not approach roller doors head-on but parallel to the door.
9. Mark the cleaning area with warning signs and provide notice of wet floors.

Troubleshooting guide

⚠ DANGER

Inadvertently starting up device

Risk of injury, electric shock

Switch the device off before working on it.

Unplug the mains plug or disconnect the device from the docking station.

- Drain and dispose of the waste water and fresh water.

- Contact Customer Service in the case of malfunctions that cannot be corrected using this table.

Malfunctions without information shown on the display

Störung	Behebung
The device cannot be started	<ol style="list-style-type: none"> 1. Unlock the emergency-off button on the upper side of the unit by turning it. 2. Check the battery and charge if necessary. 3. Check that the battery terminals are correctly connected.

Contenu

Remarques générales.....	6
Utilisation conforme	6
CONSIGNES DE SÉCURITÉ IMPORTANTES...	6
REGLES DE SECURITE ET PRATIQUES RELATIVES A L'UTILISATION	7
PROCEDURES D'ENTRETIEN ET DE REMISE EN ETAT	7
NORMES DE SECURITE INCENDIE	7
Consignes de sécurité	7
Déchargement	10
Chargement de la batterie	10
Téléchargement du manuel d'utilisation	10
Vérifier l'appareil	10
Démarrage de l'appareil.....	11
Affichage du manuel d'utilisation sur l'écran tactile	11
Règles de fonctionnement autonome	11
Aide en cas de défauts	11

Cet appareil peut contenir des composants sous licence open source et/ou conçus par des tiers. Une liste des composants logiciels open source présents dans l'appareil (y compris les détenteurs des droits d'auteur et les conditions de licence) peut être affichée sur l'écran tactile de l'appareil. Pour l'afficher, ouvrir le menu principal, accéder aux réglages et ouvrir les informations sur le système.

Groupes d'utilisateurs

Ces instructions sont prévues pour les groupes d'utilisateurs Opérateur et Superviseur.

Il est possible d'accorder ou de refuser à chaque utilisateur des autorisations pour différentes fonctions de l'appareil via l'écran tactile de l'appareil.

Toutes les descriptions figurant dans ces instructions se réfèrent aux réglages de base proposés dans l'appareil pour le groupe d'utilisateurs correspondant.

Utilisation conforme

Cet appareil est conçu pour une utilisation professionnelle et industriels, p. ex. dans les hôtels, les écoles, les hôpitaux, les usines, les bureaux et les magasins de loueurs. Utilisez cet appareil uniquement suivant les indications dans cette notice d'utilisation.

- Utiliser l'appareil uniquement pour le nettoyage de sols plats résistants à l'humidité et au polissage.
- L'appareil est destiné à une utilisation à l'intérieur.
- Cet appareil ne peut être utilisé que dans des endroits secs.
- La plage de températures d'utilisation est comprise entre +5 °C et +40 °C.
- L'appareil n'est pas adapté au nettoyage de sols gelés (p.ex. dans les chambres froides).

- L'appareil est conçu pour une hauteur d'eau maximale de 1 cm. Ne pas conduire dans une zone s'il existe un risque de dépassement de la hauteur d'eau maximale.
- Lors du recours aux chargeurs ou batteries, seuls les composants autorisés dans le manuel d'utilisation peuvent être utilisés. Si d'autres composants sont associés au chargeur et/ou à la batterie, il faut que le fournisseur de l'un et/ou de l'autre ait pris la responsabilité de confirmer l'utilisation de ces autres composants.
- L'appareil n'est pas conçu pour le nettoyage de voies de circulation publiques.
- L'appareil ne doit pas être utilisé sur des sols sensibles à la pression. Tenir compte de la charge surfacique admissible du sol. La charge surfacique causée par l'appareil est indiquée dans les caractéristiques techniques.
- L'appareil n'est pas adapté à une utilisation dans des environnements à risque d'explosion.
- L'appareil est autorisé pour un fonctionnement sur des surfaces d'une inclinaison maximale (voir le chapitre « Caractéristiques techniques »).

Remarques générales



Veillez lire cette notice originale avant la première utilisation de votre appareil et agissez conformément.

Conservez ce manuel d'utilisation en vue d'un usage ultérieur ou pour le propriétaire suivant.

Le présent manuel est un extrait du manuel d'utilisation qui, en vertu des directives en vigueur, doit être joint à l'appareil en version imprimée.

Avant la première mise en service, lisez également le manuel d'utilisation complet, qui peut être consulté sur l'écran de l'appareil ou téléchargé sur un smartphone.

CONSIGNES DE SÉCURITÉ IMPORTANTES

LIRE TOUTES LES INSTRUCTIONS AVANT D'UTILISER CET APPAREIL

⚠ AVERTISSEMENT

Pour réduire les risques d'incendie, de choc électrique ou de blessures :

NE PAS LAISSER l'appareil sans surveillance lorsqu'il est branché. Débrancher la fiche de la prise lorsque l'appareil n'est pas utilisé et avant de procéder à la maintenance.

**⚠ AVERTISSEMENT
POUR RÉDUIRE LE RISQUE DE CHOC ÉLEC-
TRIQUE - UTILISATION EN INTÉRIEUR UNIQUE-
MENT**

**⚠ AVERTISSEMENT
NE PAS UTILISER POUR LE NETTOYAGE DES SUR-
FACES DONT LA PENTE EST SUPÉRIEURE À
CELLE INDIQUÉE SUR L'APPAREIL**

**ATTENTION
LA MACHINE DOIT ÊTRE GARÉE DE MANIÈRE
SÛRE**

- N'autorisez pas que l'appareil serve de jouet. Lors de l'utilisation de l'appareil par des enfants ou à proximité d'enfants, la plus grande attention est requise.
- Utilisation uniquement comme cela est décrit dans ce manuel. N'utiliser que les accessoires recommandés par le fabricant.
- Ne pas utiliser l'appareil si le cordon ou la fiche est endommagé(e). Si l'unité ne fonctionne pas comme elle le devrait, si elle est tombée, est endommagée, a été laissée dehors ou est tombée dans l'eau, la renvoyer à un centre de SAV.
- Ne pas tirer ou porter l'appareil avec le câble, ne pas utiliser de câble comme poignée, ne pas fermer une porte sur le câble ou faire passer le câble au niveau de coins ou d'angles coupants. Ne faire passer aucun appareil sur le câble. Tenir le cordon à distance des surfaces chaudes.
- NE PAS DEBRANCHER LA FICHE SECTEUR DE LA PRISE DE COURANT EN TIRANT SUR LE CÂBLE DE BRANCHEMENT AU SECTEUR. Pour débrancher le secteur, tirer sur la fiche secteur, pas sur le câble de branchement au secteur.
- Ne pas brancher la fiche ou l'appareil avec des mains humides.
- N'introduisez pas d'objet dans les ouvertures. N'utilisez pas l'appareil lorsque les ouvertures sont colmatées. Veillez à les garder exemptes de poussière, cheveux, peluches ainsi que de tout ce qui serait susceptible d'entraver le flux d'air.
- Maintenir les CHEVEUX, VÊTEMENTS, BIJOUX PENDANTS, DOIGTS et tous les membres du corps éloignés des ouvertures et des pièces mobiles.
- Eteindre toutes les commandes avant de débrancher.
- Soyez particulièrement prudents lors du nettoyage dans les escaliers.
- N'utilisez pas l'appareil pour aspirer des liquides inflammables ou combustibles, par exemple de l'essence, et ne placez pas l'appareil dans des endroits dans lesquels de tels liquides pourraient se trouver.
- Raccordement uniquement à une prise mise à la terre correctement. Voir Instructions de mise à la terre.
- Débrancher toujours le câble de la prise électrique avant d'entretenir l'appareil.
- Ne jamais balayer des liquides explosifs, des gaz combustibles ou des acides et des solvants non dilués. Cela comprend l'essence, les diluants de peinture ou le fuel domestique qui peuvent générer des fumées ou des mélanges explosifs au contact de l'air. L'acétone, les acides non dilués et les solvants doivent également être évités car ils peuvent abîmer les matériaux sur la machine.
- Ne pas aspirer des objets qui brûlent ou se consomment.

INSTRUCTIONS DE MISE À LA TERRE

Cet appareil doit être mis à la terre. En cas de dysfonctionnement ou de panne, la mise à la terre fournit un chemin de moindre résistance pour le courant électrique afin de réduire le risque de choc électrique. Cet appareil est équipé d'un câble disposant d'un connecteur de mise à la terre de l'équipement et d'une fiche de terre. La fiche doit être branchée dans une prise appropriée installée correctement et mise à la terre conformément à toutes les normes et règles locales.

⚠ DANGER

Tout raccordement inapproprié du conducteur de mise à la terre de l'équipement peut entraîner un risque d'électrocution.

En cas de doute quant à la mise à la terre correcte de la prise de courant, faire appel à un électricien qualifié ou au personnel de maintenance.

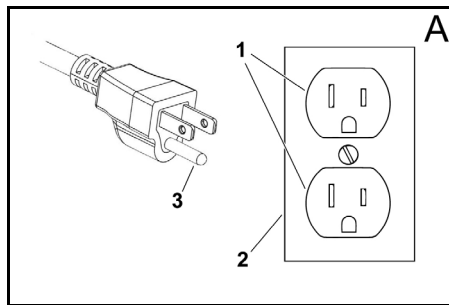
Ne pas modifier la fiche fournie avec le produit - si elle ne correspond pas à la prise de courant, faire installer une prise de courant appropriée par un électricien qualifié.

Ne pas utiliser d'adaptateur avec ce produit.

Cet appareil est prévu pour être utilisé sur un circuit d'une tension nominale de 120 volts et dispose d'une fiche de branchement de terre qui ressemble à la fiche représentée sur la figure A.

Vérifier que l'appareil est raccordé à une prise de courant ayant la même configuration que la fiche.

Aucun adaptateur ne doit être utilisé avec cet appareil. RACCORDER UNIQUEMENT À UNE PRISE MISE À LA TERRE CORRECTEMENT



- ① Prise de terre
- ② Boîtier prise de terre
- ③ Pôle de mise à la terre

**REGLES DE SECURITE ET
PRATIQUES RELATIVES A
L'UTILISATION**

Responsabilité du propriétaire/utilisateur

Le propriétaire et/ou l'utilisateur doivent comprendre les instructions de fonctionnement et les avertissements du fabricant avant d'utiliser cet appareil.

Les informations d'avertissement doivent être soulignées et comprises.

Si l'utilisateur ne parle pas l'anglais couramment, le client/propriétaire doit lire et discuter les instructions et avertissements du fabricant avec l'utilisateur dans sa langue maternelle et s'assurer que l'utilisateur en comprend le contenu.

Le propriétaire et/ou l'utilisateur doivent étudier et conserver les instructions du fabricant pour leur utilisation future.

Généralités

Avant de commencer à faire fonctionner l'unité, soyez dans une position d'opération.

Ne pas démarrer ou utiliser l'appareil, ni aucune de ses fonctions ou accessoires, à partir d'un autre endroit que celui réservé à l'utilisateur.

Avant de quitter le poste de l'utilisateur :

- 1 arrêter l'appareil ;
- 2 si l'appareil doit stationner sur une pente, caler les roues.

Conserver une distance de sécurité avec les bords des rampes, des plates-formes et de toutes les autres surfaces de travail du même type.

Ne pas ajouter d'accessoires à l'appareil ni le modifier de quelque manière que ce soit.

Ne pas stationner à un endroit où l'appareil risque d'entraver les issues de secours, les cages d'escaliers ou les équipements de lutte contre l'incendie.

Conduite

Céder la priorité aux piétons ainsi qu'aux véhicules d'urgence comme les ambulances et les camions de pompiers.

Traverser les voies ferrées à angle droit lorsque c'est possible. Ne pas garer l'appareil à moins de 1,8 m de la voie ferrée ou du rail le plus proche.

Veiller à conserver une vue bien dégagée du trajet à emprunter et être attentif à la circulation des autres véhicules, aux déplacements des membres du personnel, ainsi qu'aux espaces de dégagement.

Quelles que soient les conditions de circulation, conserver une vitesse permettant d'arrêter l'appareil en toute sécurité.

Ne jamais adopter de conduite dangereuse (cascades, acrobaties etc.)

Ralentir sur les sols mouillés et glissants. Avant de déplacer l'appareil sur un pont de chargement ou un pont de liaison, s'assurer que celui-ci est correctement sécurisé. Avancer prudemment et lentement sur le pont de chargement ou pont de liaison. Ne jamais dépasser la charge maximale autorisée.

Dans les virages, ralentir et adopter une vitesse de sécurité adaptée à l'environnement d'utilisation. Les virages doivent être abordés sans à-coups.

Entretien de l'appareil par l'utilisateur

Si le véhicule a besoin d'être réparé ou présente un risque quelconque, l'utilisateur doit le signaler immédia-

tement à son responsable et ne pas utiliser l'appareil avant résolution du problème.

Si, en cours d'utilisation, le véhicule s'avère dangereux de quelque façon que ce soit, signaler immédiatement le problème au responsable concerné et cesser l'utilisation de l'appareil avant résolution du problème.

Ne pas effectuer de réparations ou réglages à moins d'y être expressément autorisé.

**PROCEDURES D'ENTRETIEN ET DE
REMISE EN ETAT**

L'utilisation de l'appareil peut devenir dangereuse si l'entretien est négligé ou si la remise en état ou les réglages nécessaires ne sont pas effectués en conformité avec les recommandations du fabricant. Par conséquent, il est nécessaire de prévoir des ateliers de maintenance, à l'intérieur ou l'extérieur des bâtiments, avec du personnel dûment formé, ainsi que d'établir des procédures détaillées.

La maintenance et l'inspection de l'appareil doivent être effectuées conformément aux procédures suivantes :

- 1 Les intervalles prescrits pour la maintenance, la lubrification et le contrôle du système doivent être respectés; se reporter aux instructions du fabricant.
- 2 Seules les personnes formées et habilitées sont autorisées à utiliser les autolaveuses motorisées. Les utilisateurs de ces appareils doivent avoir les aptitudes visuelles et auditives ainsi que les capacités physiques et mentales requises pour utiliser cet équipement en toute sécurité.

Eviter les risques d'incendie et s'assurer que les locaux sont dotés des équipements nécessaires pour la lutte contre l'incendie. Ne jamais utiliser de bacs ouverts contenant du carburant ou des produits de nettoyage inflammables pour nettoyer les composants de l'autolaveuse motorisée.

NORMES DE SECURITE INCENDIE

Tout appareil dont le fonctionnement représente un risque doit être mis hors service.

Les réparations ne doivent pas être effectuées dans les zones de classe I, II et III.

Prévention des incendies : L'autolaveuse motorisée doit être tenue propre et dans la mesure du possible, protégée des peluches, des déversements d'huile et de la graisse.

L'utilisation de produits non inflammables est recommandée pour le nettoyage de l'autolaveuse motorisée.

Les liquides inflammables dont le point d'ignition est égal ou supérieur à 37,8 °C (100 °F) ne sont pas autorisés. Prendre les mesures appropriées concernant la toxicité, l'aération, et les risques d'incendie selon le produit ou solvant utilisé.

Visibilité de la plaque signalétique : Les données techniques figurant sur la plaque signalétique de l'appareil ne doivent pas être recouvertes de peinture et les informations d'identification doivent rester visibles.

Consignes de sécurité

Avant la première utilisation de l'appareil, veuillez lire et observer le présent manuel d'utilisation ainsi que le manuel d'utilisation complet (sur l'écran de l'appareil) et agir en conséquence.

- Utilisez l'appareil uniquement si le capot et tous les couvercles sont fermés.
- Pour une mise hors service immédiate en cas d'urgence, appuyez sur le bouton d'arrêt d'urgence.
- N'utilisez l'appareil que sur des surfaces qui ne dépassent pas la pente maximale autorisée (voir section « Caractéristiques techniques »).
- Ne placez aucune partie de votre corps entre la station d'accueil et l'appareil pendant le processus de connexion.

Niveaux de danger

⚠ DANGER

● **Indique un danger immédiat qui peut entraîner de graves blessures corporelles ou la mort.**

⚠ AVERTISSEMENT

● **Indique une situation potentiellement dangereuse qui peut entraîner de graves blessures corporelles ou la mort.**

⚠ PRÉCAUTION

- Indique une situation potentiellement dangereuse qui peut entraîner des blessures légères.

ATTENTION

- Indique une situation potentiellement dangereuse qui peut entraîner des dommages matériels.

Équipement de protection individuelle

⚠ PRÉCAUTION

- Portez des gants adaptés lors de travaux sur l'appareil.

Consignes de sécurité générales

⚠ DANGER

- Risque d'asphyxie. Ne laissez pas les matériaux d'emballage à la portée des enfants.

⚠ AVERTISSEMENT

- Utilisez l'appareil uniquement conformément à l'usage prévu. Respectez les conditions locales et portez attention aux tiers, en particulier aux enfants, lors de travaux avec l'appareil.
- Cet appareil ne doit pas être utilisé par des personnes dont les capacités physiques, sensorielles ou mentales sont réduites ou qui ne disposent pas de l'expérience et/ou des connaissances nécessaires.
- Seules les personnes instruites dans la manipulation de l'appareil ou ayant prouvé leurs compétences pour la commande et étant expressément chargées de son utilisation sont habilitées à utiliser l'appareil.
- Les enfants ne sont pas autorisés à utiliser l'appareil.
- Surveillez les enfants pour s'assurer qu'ils ne jouent pas avec l'appareil.
- Tenez les enfants et les personnes non autorisées à l'écart de l'appareil.

⚠ PRÉCAUTION

- Les dispositifs de sécurité servent à assurer votre sécurité. Ne modifiez ou ne dérivez jamais les dispositifs de sécurité.

⚠ AVERTISSEMENT

Risque de blessure par le couvercle du réservoir !

Risque d'écrasement des membres en cas de fermeture inattendue du couvercle du réservoir.

Ouvrir le couvercle du réservoir jusqu'en butée pour éviter qu'il ne se referme accidentellement. Ne fermer le couvercle du réservoir que si aucun membre ne se trouve entre le réservoir et son couvercle.

Risque d'électrocution

⚠ DANGER

- Les indications de la tension sur la plaque signalétique doivent correspondre à la tension de la source de courant.
- Ne touchez jamais aux fiches secteur et prises de courant avec les mains mouillées.
- Ne raccordez des appareils de la classe de protection I qu'à des sources de courant mises à la terre correctement.

⚠ AVERTISSEMENT

- Raccordez l'appareil uniquement à un raccordement électrique réalisé par un électricien qualifié selon IEC 60364-1.
- Mettez immédiatement l'appareil hors tension en cas de fuites.
- En cas de formation de mousse ou de sortie de liquide, éteignez immédiatement l'appareil et débranchez la fiche secteur de la station d'accueil ou du chargeur.
- Avant toute utilisation de l'appareil, s'assurer que le câble d'alimentation électrique et sa fiche secteur ne sont pas endommagés. Si le câble d'alimentation électrique est endommagé, le faire remplacer immédiatement par le fabricant, le service après-vente autorisé ou un électricien spécialisé pour éviter tout danger.
- Veillez à ne pas endommager ou abîmer le câble d'alimentation et la conduite de rallonge en passant dessus, en les écrasant, les déformant, etc. Protégez le câble d'alimentation contre la chaleur, l'huile et les arêtes tranchantes.
- Utilisez exclusivement le câble d'alimentation électrique pres-

crit par le fabricant, ceci vaut également en cas de remplacement du câble. N° de commande et type, voir le Manuel d'utilisation.

- Ne laissez pas le câble d'alimentation électrique entrer en contact avec des brosses en rotation.
- Remplacez les raccords du câble d'alimentation électrique ou de la conduite de rallonge exclusivement par des modèles avec protection contre les projections d'eau et de même résistance mécanique.

Fonctionnement

⚠ DANGER

- Avant la mise en service, vérifiez l'appareil comme décrit au chapitre « Vérification de l'appareil ».
 - Respectez les règles de fonctionnement autonome, comme décrit au chapitre « Règles de fonctionnement autonome ».
 - Lors de l'utilisation de l'appareil dans des zones dangereuses (p.ex. stations service), respectez les consignes de sécurité correspondantes.
 - L'utilisation dans des zones soumises à des risques d'explosion est interdite.
 - Ne vaporisez et n'aspirez jamais de liquides explosifs, de gaz inflammables, de poussières explosives ainsi que d'acides et de solvants non dilués. En font partie l'essence, le diluant pour peinture ou le fioul pouvant former, par tourbillonnement avec l'air aspiré, des vapeurs ou mélanges explosifs, ainsi que l'acétone, les acides et solvants non dilués car ils attaquent les matériaux utilisés sur l'appareil.
 - N'aspirez pas d'objets inflammables ou incandescents.
- #### **⚠ AVERTISSEMENT**
- N'aspirez pas d'humains ou d'animaux avec l'appareil.
 - N'utilisez pas l'appareil sur des sols glissants.
 - Sur les surfaces inclinées, ne dépassez pas la valeur de l'angle d'inclinaison latérale et dans le sens de la marche spécifiée dans le mode d'emploi.
 - Portez des vêtements ajustés pour éviter d'être pris(e) par des pièces en rotation (pas de

cravate, pas de jupe longue et large, etc.).

⚠ **PRÉCAUTION**

- Les utilisateurs doivent être correctement formés à l'usage de l'appareil.
- Vérifiez le bon état et la sécurité du fonctionnement de l'appareil et des accessoires, en particulier du câble d'alimentation électrique, de la fermeture de sécurité et du flexible vapeur, avant chaque fonctionnement. En cas de dommage, débranchez la fiche secteur et n'utilisez pas l'appareil.
- Ne transportez pas de passagers avec l'appareil.
- N'ouvrez pas le capot lorsque le moteur tourne.
- L'appareil n'est pas adapté pour aspirer des poussières nocives.

ATTENTION

- N'utilisez pas l'appareil à des températures inférieures à 0 °C.
- L'appareil n'est pas un aspirateur. N'aspirez pas plus de liquide que vous n'en avez pulvérisé. N'utilisez pas l'appareil pour aspirer des salissures sèches.
- L'appareil est seulement adapté aux revêtements spécifiés dans le manuel d'utilisation.
- L'appareil convient aux sols humides à mouillés jusqu'à 1 cm de hauteur d'eau. Ne conduisez pas dans des zones où la hauteur d'eau est supérieure à 1 cm.
- Respectez les réglementations légales lors de l'élimination de l'eau sale et de la lessive.
- N'utilisez pas l'appareil à l'extérieur.

Fonctionnement avec détergent

⚠ **PRÉCAUTION** ● Conservez le produit nettoyant hors de la portée des enfants. ● N'utilisez pas les détergents recommandés non dilués. Les produits sont plus sûrs en fonctionnement car ils ne contiennent ni acides, ni lessives, ni substances dangereuses pour l'environnement. En cas de contact de détergents avec les yeux, rin-

cez-les aussitôt à l'eau et consultez un médecin immédiatement en cas d'ingestion de détergents. ● Utilisez uniquement les produits de nettoyage recommandés par le fabricant et respectez les instructions d'application, d'élimination et d'avertissement des fabricants de détergents.

Batterie

Des batteries au lithium-ion sont intégrées dans cet appareil. Celles-ci sont soumises à des critères spécifiques. Le démontage et le montage ainsi que le contrôle des batteries défectueuses ne doivent être réalisés que par le service après-vente de Kärcher ou par un spécialiste.

Votre service après-vente Kärcher vous fournira des indications sur le stockage et le transport.

⚠ **DANGER**

Les transformations et les modifications de l'appareil ne sont pas autorisées.

Vous ne devez pas ouvrir la batterie, il y a un risque de court-circuit. De plus, des vapeurs irritantes ou des liquides caustiques peuvent s'échapper.

N'exposez pas la batterie au rayonnement intense du soleil, à la chaleur ou au feu. Il existe un risque d'explosion.

N'utilisez pas le chargeur dans un environnement présentant un risque d'explosion.

N'utilisez pas le chargeur s'il est encrassé ou mouillé. Veillez à une ventilation suffisante pendant le cycle de charge.

Risque d'explosion. Ne manipulez pas de flammes, ne générez pas d'étincelles et ne fumez pas à proximité d'une batterie ou d'un espace de charge de batteries. Risque d'explosion. Ne placez aucun outil ou objet similaire sur la batterie, c'est-à-dire sur les pôles d'extrémité et les connecteurs de cellules.

⚠ **AVERTISSEMENT**

Avant chaque utilisation, vérifiez que l'appareil et le câble d'alimentation ne sont pas endommagés. N'utilisez plus les appareils endommagés et ne faites réparer les pièces endommagées que par du personnel qualifié. Tenez les enfants éloignés des batteries et du chargeur. Ne rechargez pas des batteries endommagées. Faites remplacer les batteries endommagées par le service après-vente de Kärcher.

Ne jetez pas une batterie défectueuse avec les ordures ménagères. Informez le service après-vente de Kärcher.

Évitez le contact avec le liquide s'échappant des batteries défectueuses. En cas de contact accidentel, rincez le liquide à l'eau. En cas de contact avec les yeux, consultez en outre un médecin.

⚠ **PRÉCAUTION**

Respectez impérativement ce manuel d'utilisation. Observez les recommandations du législateur en relation avec les batteries.

La tension du secteur doit correspondre à la tension indiquée sur la plaque signalétique de l'appareil.

N'utilisez la batterie qu'avec cet appareil. Il est interdit et dangereux de l'utiliser à d'autres fins.

Dispositifs avec brosses rotatives

⚠ **PRÉCAUTION**

- Des brosses inappropriées mettent votre sécurité en danger. Utilisez uniquement les brosses fournies avec l'appareil ou les brosses recommandées dans le mode d'emploi.

Entretien et maintenance

⚠ **AVERTISSEMENT**

- Mettez l'appareil hors tension et retirez la clé de contact avant le nettoyage, la mainte-

nance, le remplacement de pièces et le passage à une fonction différente. Débranchez la fiche secteur des appareils fonctionnant sur secteur. Sur les appareils fonctionnant sur batterie, retirez le connecteur de la batterie ou débranchez la batterie.

⚠ **PRÉCAUTION**

- Les travaux de réparation, la pose de pièces de rechange ainsi que les travaux sur les composants électriques ne doivent être effectués que par le SAV autorisé.
- Faites réaliser les réparations uniquement par le point de service après-vente autorisé ou par des spécialistes du domaine familiarisés avec toutes les consignes de sécurité importantes.
- Nettoyez régulièrement le limiteur de niveau d'eau en vérifiant qu'il ne présente aucun signe de dommage.

ATTENTION

- Pour les appareils professionnels utilisés sur différents sites, observez les contrôles de sécurité selon les directives locales en vigueur
- Court-circuits ou autres dommages. Ne nettoyez pas l'appareil avec un flexible ou jet d'eau sous forte pression.

Accessoires et pièces de rechange

⚠ **PRÉCAUTION** ● Utilisez exclusivement les accessoires et pièces de rechange autorisés par le fabricant. Les accessoires et pièces de rechange originaux garantissent le fonctionnement sûr et sans défaut de votre appareil.

Transport

⚠ **PRÉCAUTION**

- Mettez le moteur à l'arrêt avant le transport. Fixez l'appareil en tenant compte de son poids, voir chapitre Caractéristiques techniques dans le manuel d'utilisation.

Dispositifs de sécurité

⚠ **PRÉCAUTION**

Dispositifs de sécurité manquants ou modifiés

Les dispositifs de sécurité servent à vous protéger.

Ne modifiez, ni ne contournez jamais les dispositifs de sécurité.

Remarque

Les fonctions de sécurité de l'appareil ne sont pas altérées en l'absence de connexion avec le réseau.

Bouton d'arrêt d'urgence

Si le bouton d'arrêt d'urgence est enfoncé, toutes les fonctions de nettoyage et de conduite sont arrêtées immédiatement.

Interrupteur de sécurité

En cas de fonctionnement manuel, si les deux interrupteurs de sécurité sont relâchés, l'appareil s'arrête. En fonctionnement autonome, l'actionnement d'un interrupteur de sécurité déclenche une pause de fonctionnement de 10 secondes.

Capteur de distance

Les capteurs de distance détectent les obstacles et font en sorte que l'appareil les contourne. Les capteurs de distance correspondent à la classe de protection laser 1 selon IEC 60825-1:2014.

Capteur optique

Les capteurs optiques détectent les obstacles et font en sorte que l'appareil les contourne. Les capteurs optiques correspondent à la classe de protection laser 1 selon IEC 60825-1:2014.

Station d'accueil

La station d'accueil est conçue pour une utilisation professionnelle et industrielle, p. ex. dans des hôtels, des écoles, des hôpitaux, des usines, des boutiques, des bureaux et des magasins de loueurs.

⚠ AVERTISSEMENT

Les utilisateurs doivent être correctement formés à l'usage de la station d'accueil.

N'utilisez la station d'accueil que dans des endroits secs.

Débranchez la fiche secteur de la station d'accueil de la prise de courant avant de procéder à des travaux de maintenance.


Évitez que le câble d'alimentation de la station d'accueil n'entre en contact avec les brosses rotatives du nettoyeur de sol.



⚠ PRÉCAUTION

Utilisez la station d'accueil uniquement à l'intérieur. Ne stockez la station d'accueil qu'à l'intérieur.

Symboles d'avertissements

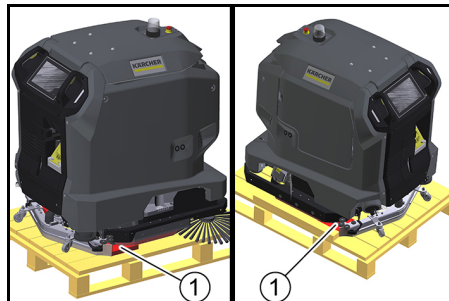
Respecter les avertissements suivants lors de la manipulation de batteries :

	Observer les remarques dans le manuel d'utilisation de la batterie et sur la batterie ainsi que dans ce manuel d'utilisation.
	Porter une protection oculaire.
	Tenir les enfants éloignés d'acides et de batteries.
	Risque d'explosion
	Le feu, les étincelles, les flammes nues et fumer sont interdits.
	Risque de brûlure chimique
	Premiers secours.
	Avertissement

	Élimination
	Ne pas jeter la batterie à la poubelle.

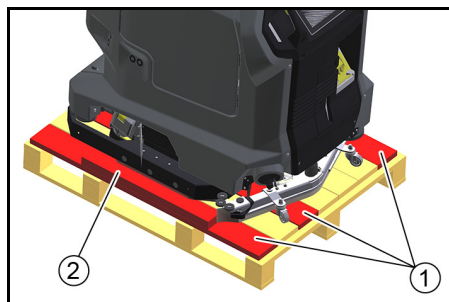
Déchargement

1. Retirer le carton ainsi que les bois de renfort du support en bois.
2. Retirer la bande de serrage.
3. Dévisser les deux blocs.



① Bloc de bois

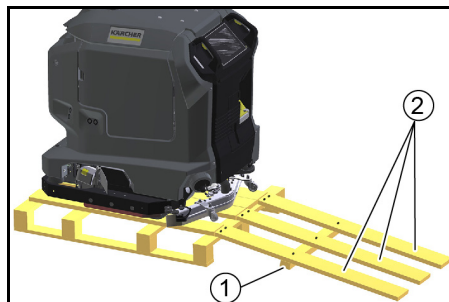
4. Dévisser les planches et le bois du support en bois.



① Planche

② Bois

5. Avec les planches dévissées et le bois, poser une rampe derrière le support en bois.



① Bois

② Planche

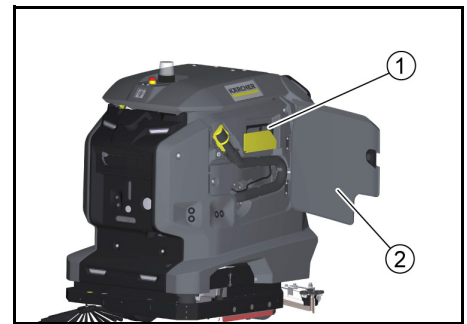
6. Fixer les planches et le bois avec les vis précédemment retirées.
7. Tirer l'appareil en arrière pour le faire descendre du support en bois.

Chargement de la batterie

En cas d'utilisation avec une station d'accueil, la batterie se recharge automatiquement.

Sans station d'accueil :

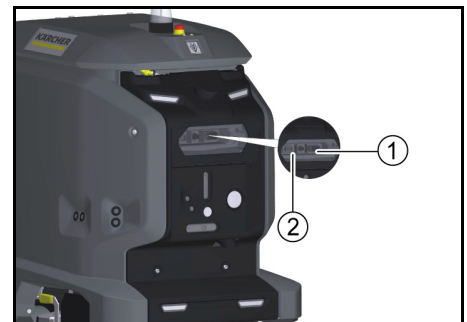
1. Ouvrir la porte du compartiment d'appareil.



① Câble de charge

② Porte du compartiment d'appareil

- a Débrancher le câble de charge.
- b Si l'appareil ne possède pas de câble de charge, brancher un câble d'alimentation avec une fiche d'appareil froid dans la prise d'alimentation du port de la station d'accueil.



① Prise d'alimentation

② Port de la station d'accueil

2. Brancher la fiche secteur du câble de charge dans une prise de courant. Le cycle de charge s'effectue automatiquement. L'état de charge s'affiche sur l'écran tactile. Ne pas utiliser l'appareil pendant le cycle de charge. Lorsque la batterie est complètement déchargée, le cycle de charge dure environ 8 heures.
3. Après le cycle de charge, débrancher la fiche secteur de la prise de courant.
4. Ranger le câble d'alimentation dans le compartiment d'appareil ou débrancher le câble d'alimentation du port de la station d'accueil.

Téléchargement du manuel d'utilisation

Après la mise en service, le manuel d'utilisation de l'appareil peut être affiché sur l'écran tactile. Si le manuel d'utilisation est en outre téléchargé sur un smartphone, les étapes de commande peuvent être vérifiées parallèlement à l'utilisation.

1. Scanner le code suivant sur le smartphone et suivre les instructions pour télécharger le manuel d'utilisation.



Vérifier l'appareil

⚠ AVERTISSEMENT

Risque d'accident

Un appareil endommagé ou défectueux peut provoquer des accidents lors du fonctionnement.

Vérifiez l'appareil avant de l'utiliser et signalez tout dommage ou dysfonctionnement à la personne compétente. N'utilisez pas l'appareil s'il est endommagé ou présente des dysfonctionnements.

1. Vérifier l'étanchéité de l'appareil.
2. Vérifier le fonctionnement du bouton d'arrêt d'urgence.
3. Vérifier le fonctionnement des deux interrupteurs de sécurité (l'appareil freine-t-il lorsque les deux interrupteurs de sécurité sont relâchés en mode manuel ?).

⚠ DANGER

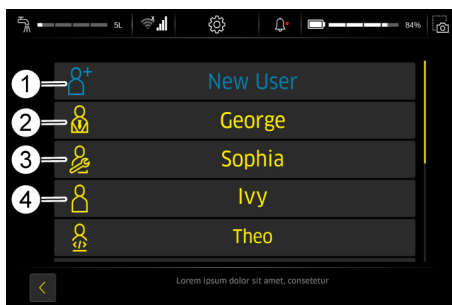
Risque d'accident dû à un interrupteur de sécurité défectueux

Mettez immédiatement l'appareil hors service si l'un des interrupteurs de sécurité ou les deux ne reviennent pas de manière fiable en position non actionnée.

4. Vérifier l'état d'encrassement des capteurs, les nettoyer si nécessaire.
5. Redémarrer l'appareil.
6. Vérifier le fonctionnement des capteurs (l'appareil détecte-t-il les obstacles ?).

Démarrage de l'appareil

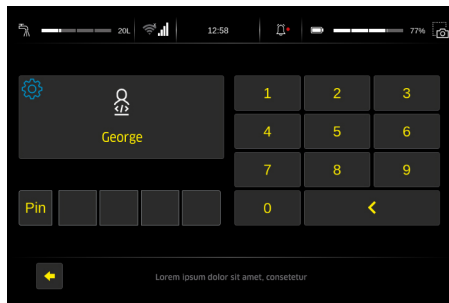
1. Déverrouiller le bouton d'arrêt d'urgence en le tournant.
2. Appuyer sur la touche de démarrage. L'appareil démarre.
3. Attendre que l'affichage de connexion apparaisse sur l'écran tactile.



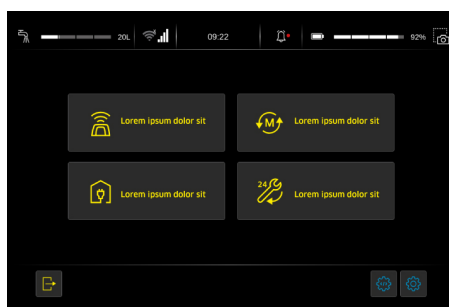
① Nouvel utilisateur

- ② Superviseur
- ③ Maintenance
- ④ Opérateur

- Superviseur: Peut utiliser toutes les fonctions de l'appareil et dispose de toutes les autorisations pour les utilisateurs.
 - Maintenance: Disponible uniquement pour le service après-vente.
 - Opérateur: Peut utiliser les fonctions définies par les autorisations accordées par le Superviseur.
4. Créer un nouveau profil d'utilisateur.
 5. Attribuer un mot de passe.



Les fonctions exécutables s'affichent dans le menu principal.



Affichage du manuel d'utilisation sur l'écran tactile

Le manuel d'utilisation joint à l'appareil ne comprend que les activités de mise en service ainsi que la détection des pannes en cas d'écran tactile défectueux.

Le manuel d'utilisation complet peut être consulté et affiché sur l'écran tactile après la mise en service de l'appareil.

1. Dans le menu principal, appuyer sur le bouton « Entretien quotidien ».
2. Appuyer sur le bouton « Manuel de l'opérateur ». Le manuel d'utilisation s'affiche sur l'écran tactile.

Règles de fonctionnement autonome

Pour une exécution fiable et sûre du fonctionnement autonome, les règles suivantes doivent être respectées.

1. Délimiter la zone de nettoyage par des barrières aux endroits suivants :
 - Paliers
 - Escaliers
 - Escaliers roulants, trottoirs roulants
 - Ponts ascenseurs
2. Ne pas installer d'échelles, d'échafaudages ou d'autres obstacles temporaires dans la zone de nettoyage.
3. Ne pas laisser de câbles électriques ou d'autres obstacles bas (jusqu'à 15 cm de hauteur) dans la zone de nettoyage.
4. Ne pas faire passer les itinéraires de fonctionnement autonome par des ascenseurs ou des portes à ouverture automatique. Utiliser les ascenseurs et les portes automatiques uniquement en mode manuel.
5. Se tenir à une distance suffisante des bassins d'eau et des surfaces en verre.
6. Éviter l'exposition directe des capteurs à une forte lumière incidente (p. ex. soleil bas).
7. Éviter la traversée de fortes limites de lumière/d'ombre.
8. Dans les itinéraires autonomes, ne pas se diriger frontalement vers les portes roulantes, mais parallèlement à la porte.
9. Signaler la zone de nettoyage par des panneaux d'avertissement et indiquer que le sol est mouillé.

Aide en cas de défauts

⚠ DANGER

Démarrage intempestif de l'appareil

Risque de blessures, risque d'électrocution

Éteignez l'appareil avant d'y réaliser des travaux.

Débranchez la fiche secteur ou déconnectez l'appareil de la station d'accueil.

- Vidanger et éliminer l'eau sale et l'eau propre.

- En cas de défauts ne pouvant pas être résolus à l'aide de ce tableau, contacter le service après-vente.

Défauts sans affichage à l'écran

Störung	Behebung
Impossible de démarrer l'appareil	<ol style="list-style-type: none"> 1. Déverrouiller le bouton d'arrêt d'urgence situé sur le dessus de l'appareil en le tournant. 2. Vérifier les batteries, les charges si besoin. 3. Vérifier que les pôles de la batterie sont raccordés.

Índice de contenidos

Avisos generales.....	11
Uso previsto.....	11
INSTRUCCIONES IMPORTANTES DE SEGURIDAD.....	12
NORMAS Y PRÁCTICAS DE SEGURIDAD PARA EL FUNCIONAMIENTO.....	12
MANTENIMIENTO Y PRÁCTICAS DE RECONSTRUCCIÓN.....	12
NORMA DE SEGURIDAD CONTRA INCENDIOS.....	12
Instrucciones de seguridad.....	12
Descarga.....	15
Carga de la batería.....	15
Descarga del manual de instrucciones.....	15
Comprobación del equipo.....	15
Conexión del equipo.....	16
Visualización del manual de instrucciones en la pantalla táctil.....	16
Normas para el funcionamiento autónomo.....	16
Ayuda en caso de fallos.....	16

Avisos generales

Antes de usar por primera vez el equipo, lea este manual original y sígalo. Conserve el manual de instrucciones para su uso posterior o para futuros propietarios. Este manual de instrucciones es un extracto del manual de instrucciones que debe adjuntarse al equipo en versión impresa, de conformidad con la normativa vigente. Antes de la primera puesta en funcionamiento, lea también el manual de instrucciones completo, el cual se puede abrir en el display del equipo o descargarse en un smartphone. Este equipo puede contener componentes con licencia de código abierto y/o desarrollados por terceros. En la pantalla táctil del equipo se puede mostrar una lista de los componentes de software de código abierto presentes en el equipo (incluidos los titulares de los derechos de autor y las condiciones de la licencia). Para mostrarla, abra el menú principal, vaya a Ajustes y abra Información del sistema.

Grupos de usuarios

Este manual está destinado a los grupos de usuarios Operador y Supervisor. A cada usuario se le pueden conceder o denegar permisos para varias funciones del equipo a través de la pantalla táctil del mismo. Todas las descripciones de este manual se refieren a los ajustes básicos sugeridos en el equipo para el respectivo grupo de usuarios.

Uso previsto

Este equipo es apto para el uso profesional e industrial, por ejemplo, en hoteles, escuelas, hospitales, fábricas,

tiendas, oficinas y negocios de alquiler. Use este equipo únicamente de conformidad con las indicaciones de este manual de instrucciones.

- El equipo solo puede usarse para la limpieza de suelos planos resistentes a la humedad y al pulido.
- Este equipo está destinado al uso en interiores.
- Este equipo solo es adecuado para su uso en zonas secas.
- El rango de temperatura de servicio está entre +5 °C y +40 °C.
- El equipo no es apto para la limpieza de suelos congelados (p. ej., en almacenes frigoríficos).
- El equipo es adecuado para una altura máxima de agua de 1 cm. No conduzca hacia una zona si existe el riesgo de que se exceda el nivel máximo de agua.
- Al usar cargadores o baterías solo se deben usar los componentes autorizados en el manual de instrucciones. Una combinación diferente debe ser confirmada por el proveedor del cargador y/o las baterías de forma responsable.
- El equipo no está diseñado para limpiar vías de comunicación públicas.
- El equipo no debe usarse en suelos sensibles a la presión. Tenga en cuenta la carga por unidad de superficie permitida del suelo. La carga por unidad de superficie por el equipo se especifica en los datos técnicos.
- El equipo no es apto para su uso en entornos potencialmente explosivos.
- El equipo está autorizado para su uso sobre superficies con una pendiente máxima (véase el capítulo «Datos técnicos»).

INSTRUCCIONES IMPORTANTES

DE SEGURIDAD

LEER TODAS LAS INSTRUCCIONES ANTES DE USAR ESTE APARATO

⚠ ADVERTENCIA

Para reducir el peligro de incendio, choque eléctrico o lesión:

NO DEJAR el equipo desatendido cuando esté enchufado. Desconectar de la toma cuando no se esté utilizando y antes del mantenimiento.

⚠ ADVERTENCIA

PARA REDUCIR EL PELIGRO DE CHOQUE ELÉCTRICO, UTILIZAR ÚNICAMENTE EN INTERIORES

⚠ ADVERTENCIA

NO UTILIZAR PARA LA LIMPIEZA EN SUPERFICIES CON UNA PENDIENTE SUPERIOR A LA MARCADA EN LA MÁQUINA

CUIDADO

LA MÁQUINA DEBERÁ ESTACIONARSE DE FORMA SEGURA

- No deje que el equipo se utilice como si fuera un juguete. Cuando niños usan el equipo o cuando el equipo se encuentra cerca de niños, hay que extremar la precaución.
- Utilizar únicamente como se describe en este manual. Utilizar únicamente los accesorios recomendados por el fabricante.
- No utilizar con un cable o conector dañados. Si el equipo no está funcionando como debería, se ha caído, dañado, dejado al aire libre o caído al agua, devolver a un centro de servicio de reparación.
- No tirar del cable o llevar mediante el cable, no usar el cable como asa, no cerrar una puerta en el cable o tirar del cable alrededor de bordes o esquinas afilados. No pasar el aparato por encima del cable. Mantener el cable alejado de superficies calientes.
- NO TIRAR DEL CONECTOR DE RED TIRANDO DE LA TOMA DE TIERRA DEL CABLE DE CONEXIÓN DE RED. Para desconectar la red eléctrica, tirar del conector de red, no del cable de conexión de red.
- No manipular el conector o el aparato con las manos mojadas.
- No introduzca objetos en las aberturas. No utilice el equipo si las aberturas están obstruidas. Asegúrese de mantenerlas libres de polvo, pelusa, pelo y cualquier cosa que pueda obstruir el flujo de aire.
- Mantener alejado PELO, ROPA, SUCIEDAD SUELTA, DEDOS y todas partes del cuerpo de las aberturas y piezas móviles.
- Desconectar todos los controles antes de desconectar.
- Tenga especial cuidado cuando limpie escaleras.
- No utilice el equipo para absorber líquidos inflamables o combustibles, como gasolina, y no lo utilice en áreas donde dichos líquidos puedan estar presentes.
- Conectar únicamente a una toma que esté puesta a tierra correctamente. Véanse las instrucciones de puesta a tierra.
- Desconectar siempre el cable de la toma eléctrica antes de realizar el mantenimiento del dispositivo.
- No barrer nunca líquidos explosivos, gases combustibles o ácidos y disolventes no diluidos. Esto incluye gasolina, disolvente o gasóleo que pueden generar humos o mezclas explosivas al entrar en contacto con el aire. También se deben evitar la acetona, los ácidos sin diluir y los disolventes porque pueden dañar los materiales de la máquina.
- No aspirar objetos ardiendo o humeantes.

INSTRUCCIONES DE PUESTA A TIERRA

Este dispositivo debe estar puesto a tierra. En caso de un fallo de funcionamiento o avería, la conexión a tierra proporciona un camino de menor resistencia para que la corriente eléctrica reduzca el peligro de choque eléctrico.

Este dispositivo está equipado con un cable que tiene un conductor de puesta a tierra y un conector de puesta a tierra.

El conector debe estar conectado a una toma apropiada que esté instalada y puesta a tierra correctamente conforme a todos los códigos y ordenanzas locales.

⚠ PELIGRO

Una conexión incorrecta del conductor de puesta a tierra del equipo puede causar riesgo de electrocución.

Consultar con un electricista o personal de servicio en caso de dudas acerca de la puesta a tierra correcta de la toma.

No modificar el conector que se suministra con el producto. Si no encaja en la toma, contratar a un electricista para instalar correctamente la toma.

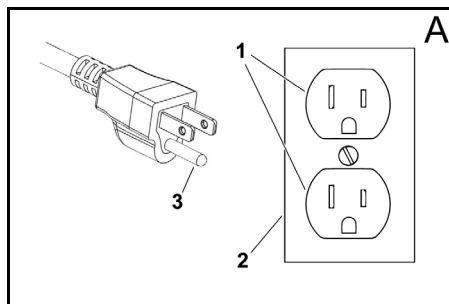
No usar ningún tipo de adaptador con este producto.

Este aparato es para uso en un circuito nominal de 120 voltios y tiene un conector de puesta a tierra parecido al conector que se ilustra en la figura A.

Garantizar que el aparato está conectado a una toma que tenga la misma configuración que el conector.

No se debe usar ningún adaptador con este aparato.

CONECTAR ÚNICAMENTE A UNA TOMA PUESTA A TIERRA CORRECTAMENTE



① Toma puesta a tierra

② Caja de distribución puesta a tierra

③ Polo de puesta a tierra

NORMAS Y PRÁCTICAS DE SEGURIDAD PARA EL FUNCIONAMIENTO

Responsabilidad del propietario/usuario

El propietario y/o el usuario deben haber comprendido las instrucciones de funcionamiento y los avisos del fabricante antes de utilizar el dispositivo. Deben resaltarse y comprenderse los avisos de advertencia.

Si el operario no sabe inglés, el comprador/propietario debe leer y examinar las instrucciones y las advertencias del fabricante con el operario en la lengua materna del operario, asegurándose de que el operario comprende todo el contenido.

El propietario y/o el usuario debe analizar y guardar las instrucciones del fabricante para referencia en el futuro.

Generalidades

Antes de poner en funcionamiento la unidad, ésta deberá encontrarse en la posición de servicio.

No arrancar ni poner en funcionamiento la unidad, cualquiera de sus funciones o complementos, en otro sitio que no sea la posición designada de operario.

Antes de dejar la posición del operario:

- 1 parar completamente el equipo;
- 2 si el equipo tiene que estar en una inclinación, bloquear las ruedas.

Mantenerse a una distancia segura del borde de rampas, plataformas y otras superficies de trabajo.

No realice modificaciones ni añadidos al equipo.

No bloquear el acceso a las salidas de emergencias de incendios, escaleras o equipo antiincendios.

Conducción

Ceder el paso a peatones y vehículos de emergencias como ambulancias o camiones de bomberos.

Cruce vías de tren en ángulo siempre que sea posible.

No aparcar a menos de 1800 mm de la vía del tren.

Mantener una buena vista del camino por el que conduce y preste atención al tráfico, personal y seguridad.

Operar el equipo siempre a una velocidad que permita parar de manera segura.

No permita realizar escenas peligrosas ni jugar con el equipo.

Reducir la velocidad en suelos húmedos y resbaladizos. Antes de conducir sobre un muelle o puente, asegúrese de que esté bien seguro. Conduzca con cuidado y lentamente por el muelle o puente, y no exceda nunca la capacidad indicada.

Al sortear curvas, reduzca la velocidad a un nivel seguro de acuerdo con el ambiente de funcionamiento. Sor-tear las curvas con cuidado.

Cuidados del equipo realizados por el operario

Si el equipo necesita ser reparado o es inseguro, o favorece una situación insegura, se deberá informar del problema inmediatamente al encargado designado por el usuario, y no se pondrá en funcionamiento el equipo hasta que se recupere el estado de funcionamiento seguro.

Si el equipo se vuelve inseguro de cualquier modo durante su funcionamiento, se deberá informar del proble-

ma inmediatamente al encargado designado por el usuario, y no se pondrá en funcionamiento el equipo hasta que se recupere el estado de funcionamiento seguro.

No realizar reparaciones o ajustes a no ser que se autorizado específicamente.

MANTENIMIENTO Y PRÁCTICAS DE RECONSTRUCCIÓN

El funcionamiento del equipo puede resultar peligrosos si no realiza el mantenimiento o se llevan a cabo reparaciones, reconstrucciones o ajustes que no correspondan con los criterios de diseño del fabricante. Por lo tanto, se deben poner a disposición lugares de mantenimiento (en el mismo local o en otro lugar), personal cualificado, y procedimientos detallados.

El mantenimiento e inspección de la unidad se realizará de acuerdo con las siguientes prácticas:

1 a un mantenimiento planificado, le seguirán lubricación e inspección del sistema: consulte las recomendaciones del fabricante.

2 Sólo se permitirá operar un aparato para limpieza de suelos motorizado a personas formadas y autorizadas. Los operarios de aparatos de limpieza de suelos motorizados deberán estar cualificados y tener la capacidad visual, auditiva, física y mental para operar equipos de forma segura.

Evitar los riesgos de incendios y tener equipo de protección de incendios en el área de trabajo. No usar recipientes abiertos de fuel o líquidos inflamables de limpieza para las limpiar las piezas.

NORMA DE SEGURIDAD CONTRA INCENDIOS

Cualquier unidad que no esté en un estado de funcionamiento seguro será retirada de servicio.

No se realizarán reparaciones en ubicaciones de clase I, clase II y clase III.

Prevención de incendios. Se mantendrá el equipo limpio y sin pelusas, exceso de aceite y grasa en la medida de lo posible.

Es preferible utilizar productos no combustibles para limpiar el equipo. No está permitido utilizar líquidos inflamables [aquellos que tengan puntos de inflamación de o superior a 37,8°C (100°F)]. Se deberá tomar precauciones ante la toxicidad, ventilación e incendios con el producto o disolvente usado.

Visibilidad de la placa identificadora. Las denominaciones de tipo de equipo se indican en la placa identificadora y no se deben cubrir las marcas de tipo con pintura para que no se vea la información de identificación.

Instrucciones de seguridad

Antes de usar por primera vez el equipo, lea y tenga en cuenta el presente manual de instrucciones y el manual de instrucciones completo (en el display del equipo), y respételas.

- Maneje el equipo únicamente con las cubiertas y todas las tapas cerradas.
- Presione el pulsador de parada de emergencia para la puesta fuera de servicio inmediata en caso de emergencia.
- Use el equipo solamente en superficies que no superen la pendiente máxima permitida (véase el apartado «Datos técnicos»).
- No coloque ninguna parte de su cuerpo entre la estación de acoplamiento y el equipo durante el proceso de acoplamiento.

Niveles de peligro

⚠ PELIGRO

- Aviso de un peligro inminente que produce lesiones corporales graves o la muerte.

⚠ ADVERTENCIA

- Aviso de una posible situación peligrosa que puede producir lesiones corporales graves o la muerte.

⚠ PRECAUCIÓN

- Aviso de una posible situación peligrosa que puede producir lesiones corporales leves.

CUIDADADO

- *Aviso de una posible situación peligrosa que puede producir daños materiales.*

Equipo de protección personal

△ PRECAUCIÓN

- *Al trabajar con el equipo, lleve guantes de protección adecuada.*

Instrucciones generales de seguridad

△ PELIGRO

- *Riesgo de asfixia. Mantenga los embalajes fuera del alcance de los niños.*

△ ADVERTENCIA

- *Utilice el equipo solo para su uso previsto. Al trabajar con el equipo, tenga en cuenta las condiciones locales y evite causar daños a terceras personas, sobre todo a niños.*
- *El uso del equipo no es apto para personas con capacidades corporales, sensoriales o psíquicas limitadas o que carezcan de experiencia y/o conocimiento suficiente.*
- *El equipo solo puede ser utilizado por personas instruidas en su manejo o que hayan demostrado su capacidad para manejarlo y que hayan recibido la orden explícita de usarlo.*
- *Los niños no pueden utilizar el equipo.*
- *Se debe supervisar a los niños para asegurarse de que no jueguen con el aparato.*
- *Mantenga a los niños y a las personas no autorizadas lejos del equipo.*

△ PRECAUCIÓN

- *Los dispositivos de seguridad velan por su seguridad. Nunca modifique ni manipule los dispositivos de seguridad.*

△ ADVERTENCIA

Peligro de lesiones por la tapa del depósito.

Peligro de aplastamiento de las extremidades debido al cierre inesperado de la tapa del depósito.

Abrir la tapa del depósito hasta el tope para evitar que se cierre accidentalmente.

Cerrar la tapa del depósito solo cuando no haya miembros entre el depósito y la tapa.

Peligro de choques eléctricos

△ PELIGRO

- *La tensión indicada en la placa de características debe coincidir con la tensión de la fuente de corriente.*
- *Nunca toque los conectores de red y enchufes con las manos húmedas.*
- *Solo conecte los equipos de la clase de protección I a fuentes de corriente con toma a tierra.*

△ ADVERTENCIA

- *Conecte el equipo únicamente a una conexión eléctrica instalada por un electricista formado conforme a la norma IEC 60364-1.*
- *Desconecte el equipo inmediatamente si presenta fugas.*
- *En caso de espuma o derrame, apague el equipo de inmediato y desconecte el conector de red de la estación de acoplamiento o del cargador.*
- *Cada vez que utilice el equipo, asegúrese de que el cable de conexión de red con el conector de red no está dañado. Si el cable de conexión de red está dañado, el fabricante, el servicio de posventa autorizado o el personal electricista especialista deben sustituirlo inmediatamente para evitar cualquier peligro.*
- *No dañe el conducto de prolongación ni el cable de conexión de red pasando por encima, aplastándolo, arrastrándolo o similares. Proteja el cable de conexión de red frente al calor, el aceite y los cantos afilados.*
- *Utilice únicamente el cable de conexión de red indicado por el fabricante, también al sustituirlo. N.º de referencia y tipo; ver el Manual de instrucciones.*

- *No permita que el cable de conexión de red entre en contacto con los cepillos giratorios.*
- *Sustituya los acoplamientos del conducto de prolongación o conexión de red por otros con la misma protección contra salpicaduras de agua y la misma resistencia mecánica.*

Funcionamiento

△ PELIGRO

- *Antes de la puesta en funcionamiento, compruebe el equipo tal y como se describe en el capítulo «Comprobación del equipo».*
 - *Respete las normas de funcionamiento autónomo descritas en el capítulo «Normas para el funcionamiento autónomo».*
 - *A la hora de utilizar el equipo en zonas de peligro (p. ej. gasolineras), tenga en cuenta las correspondientes reglamentaciones de seguridad.*
 - *Queda prohibido su uso en entornos explosivos.*
 - *Nunca rocíe ni aspire líquidos explosivos, gases inflamables, polvos explosivos, así como ácidos y disolventes sin diluir. Entre ellos cabe mencionar la gasolina, los disolventes y el gasóleo, que, al agitarse con el aire de aspiración, pueden formar vapores o mezclas explosivas, así como la acetona, los ácidos no diluidos y los disolventes, que dañan los materiales empleados en el equipo.*
 - *No aspire objetos inflamables ni candentes.*
- #### **△ ADVERTENCIA**
- *No utilice el equipo para aspirar en humanos o animales.*
 - *No use el equipo en suelos resbaladizos.*
 - *En superficies inclinadas, no exceda el valor especificado en el manual de instrucciones para el ángulo de inclinación lateral y de dirección de marcha.*
 - *Use ropa ajustada para evitar que se produzcan atrapamientos por parte de las piezas giratorias (no use el equipo si lleva corbata, falda larga y ancha, etc.).*

⚠ PRECAUCIÓN

- Los usuarios deben ser instruidos adecuadamente en el uso del equipo.
- Antes de cada uso, compruebe el buen estado y la seguridad operacional del equipo y sus accesorios, especialmente el cable de conexión de red y el cable de prolongación. Si el conector de red presenta daños, desenchúfelo y no utilice el equipo.
- No use el equipo para transportar pasajeros.
- No abra la cubierta con el motor en marcha.
- El equipo no es apto para aspirar polvos perjudiciales para la salud.

CUIDADO

- No utilice el equipo a temperaturas inferiores a 0 °C.
- El equipo no es una aspiradora. No aspire más líquido del que ha rociado. No utilice el equipo para aspirar suciedad seca.
- El equipo solo es apto para las superficies indicadas en el manual de instrucciones.
- El equipo es adecuado para suelos húmedos o mojados con hasta 1 cm de agua. No pase por zonas donde el nivel del agua sea superior a 1 cm.
- Tenga en cuenta las normativas legales cuando deseche agua sucia o lejía.
- No use el equipo en el exterior.

Funcionamiento con detergente

- ⚠ **PRECAUCIÓN** ● Mantenga el detergente fuera del alcance de los niños. ● No utilice los detergentes recomendados sin diluir. Los productos son seguros para el servicio, pues no contienen ácidos, lejías o sustancias peligrosas para el medio ambiente. En caso de que el detergente entre en contacto con los ojos, aclárelos inmediatamente con abundante agua y, como en el caso de una ingesta accidental, busque asistencia médica. ● Use solo los detergentes recomendados por el fabricante y preste atención a los avisos e

instrucciones de aplicación y eliminación del fabricante de detergentes.

Batería

Este equipo tiene baterías de iones de litio integradas. Estas están sujetas a criterios especiales. El desmontaje y el montaje, así como la prueba de las baterías defectuosas, solo pueden ser realizados por el servicio de postventa de Kärcher o por personal especializado. Para obtener avisos sobre el almacenamiento y el transporte, póngase en contacto con su servicio de postventa de Kärcher.

⚠ PELIGRO

No se permite realizar modificaciones ni alteraciones al equipo.

No debe abrir la batería, ya que hay peligro de cortocircuito. Además, pueden escaparse vapores irritantes o líquidos cáusticos.

No someta la batería a radiación solar, calor ni fuego. Hay peligro de explosión.

No use el cargador en atmósferas potencialmente explosivas.

No use el cargador si está mojado o contaminado.

Asegúrese de que haya ventilación suficiente durante el proceso de carga.

Peligro de explosión. En las inmediaciones de una batería o de un espacio de carga de batería no debe manipular llamas abiertas, generar chispas ni fumar.

Peligro de explosión. No coloque ninguna herramienta u objeto similar sobre la batería, es decir, sobre los polos de los extremos y los conectores de la celda.

⚠ ADVERTENCIA

Antes de cada uso, controle que el equipo y el cable de alimentación no presenten daños. No siga usando los equipos dañados y encargue la reparación de las piezas dañadas únicamente a personal especializado. Mantenga a los niños alejados de las baterías y del cargador.

No cargue baterías dañadas. Encargue al servicio de postventa de Kärcher la sustitución de las baterías dañadas.

No deseche las baterías defectuosas en la basura doméstica. Informe al servicio de postventa de Kärcher. Evite el contacto con los líquidos que salen de las baterías defectuosas. En caso de contacto accidental, enjuague el líquido con agua. En caso de contacto con los ojos, consulte también a un médico.

⚠ PRECAUCIÓN

Asegúrese de respetar este manual de instrucciones. Tenga en cuenta las recomendaciones del legislador a la hora de manipular baterías.

La tensión de red debe coincidir con la indicada en la placa de características del equipo.

Use la batería solo con este equipo. Está prohibido y es peligroso usarla para otros fines.

Equipos con cepillos giratorios

⚠ PRECAUCIÓN

- Los cepillos inadecuados ponen en peligro su seguridad. Use únicamente los cepillos suministrados con el equipo o los cepillos recomendados en el manual de instrucciones.

Conservación y mantenimiento

⚠ ADVERTENCIA

- Antes de realizar cualquier tarea de limpieza, mantenimiento, sustitución de piezas o conmutación a otra función, debe desconectar el equipo. En el caso de los equipos que funcionan con alimentación de red, desconecte el conector de red. En el caso de los equipos que funcionan con batería,

desconecte la batería o el conector de batería.

⚠ PRECAUCIÓN

- Solo el servicio de postventa autorizado puede realizar los trabajos de reparación, el montaje de los recambios y otros trabajos en los componentes eléctricos.
- Solo el servicio de postventa autorizado o el personal especialista familiarizado con todas las reglamentaciones de seguridad pertinentes debe llevar a cabo las reparaciones.
- Limpie el limitador de nivel de agua regularmente y compruebe si presenta daños.

CUIDADO

- Observe la revisión de seguridad relativa a los equipos móviles de uso profesional según las normas locales en vigor
- Cortocircuitos u otros daños. No limpie el equipo con manjeras o agua de alta presión.

Accesorios y recambios

- ⚠ **PRECAUCIÓN** ● Utilice únicamente accesorios y recambios autorizados por el fabricante. Los accesorios y recambios originales garantizan un servicio seguro y sin fallos del equipo.

Transporte

⚠ PRECAUCIÓN

- Antes del transporte debe detener el motor. Fije el equipo teniendo en cuenta el peso, véase el capítulo Datos técnicos del manual de instrucciones.

Dispositivos de seguridad

⚠ PRECAUCIÓN

Dispositivo de seguridad faltantes o modificados. Los dispositivos de seguridad velan por su seguridad. Nunca modifique ni manipule los dispositivos de seguridad.

Nota

Las funciones de seguridad del equipo no se ven afectadas en caso de ausencia de conexión de red.

Pulsador de parada de emergencia

Si se presiona el pulsador de parada de emergencia, todas las funciones de limpieza y conducción finalizan inmediatamente.

Interruptor de seguridad

Si ambos interruptores de seguridad se liberan durante el funcionamiento manual, el equipo se detiene. Durante el funcionamiento autónomo, el accionamiento de un interruptor de seguridad provoca una pausa de funcionamiento de 10 segundos.

Sensor de distancia

Los sensores de distancia detectan los obstáculos y hacen que el equipo los rodee. Los sensores de distancia cumplen con la clase de protección láser 1 según la norma IEC 60825-1:2014.

Sensor óptico

Los sensores ópticos detectan los obstáculos y hacen que el equipo los rodee. Los sensores ópticos cumplen con la clase de protección láser 1 según la norma IEC 60825-1:2014.

Estación de acoplamiento

Esta estación de acoplamiento es apta para el uso profesional e industrial, por ejemplo, en hoteles, escuelas, hospitales, fábricas, tiendas, oficinas y negocios de alquiler.

⚠ ADVERTENCIA

Los usuarios deben ser instruidos adecuadamente en el uso de la estación de acoplamiento.

Use la estación de acoplamiento únicamente en zonas secas.

Desenchufe el conector de red de la estación de acoplamiento antes de realizar cualquier trabajo de mantenimiento.

Evite que el cable de red de la estación de acoplamiento entre en contacto con los cepillos giratorios del limpiador de suelos.

⚠ PRECAUCIÓN

Use la estación de acoplamiento solo en interiores. Almacene la estación de acoplamiento solo en interiores.

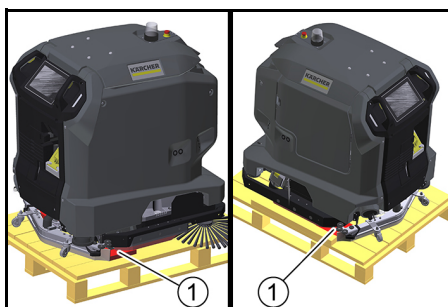
Símbolos de los avisos

A la hora de manipular baterías debe tener en cuenta los siguientes avisos:

	Tenga en cuenta los avisos de las instrucciones de uso de la batería, los avisos impresos sobre la propia batería y los avisos de este manual de instrucciones.
	Utilice protección para los ojos.
	Mantenga alejados a los niños de la batería y el ácido.
	Peligro de explosión
	Prohibido encender fuego, originar chispas, aplicar luz directa y fumar.
	Peligro de quemadura por ácido
	Primeros auxilios.
	Aviso
	Eliminación de residuos
	No deseche la batería en el cubo de basura.

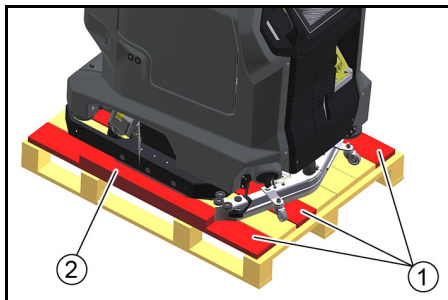
Descarga

1. Retire la caja de cartón junto con los maderos de refuerzo de la subestructura de madera.
2. Retirar la cinta de sujeción.
3. Desenrosque los dos bloques.



① Bloque de madera

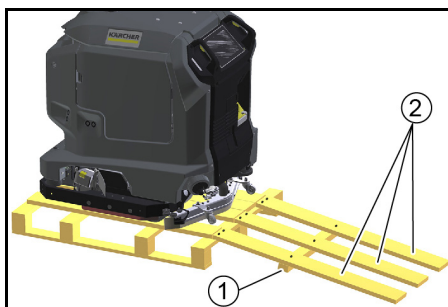
4. Desatornille las tablas y la madera escuadrada de la subestructura de madera.



① Tabla

② Madera escuadrada

5. Use las tablas desenroscadas y las maderas escuadradas para colocar una rampa detrás de la subestructura de madera.



① Madera escuadrada

② Tabla

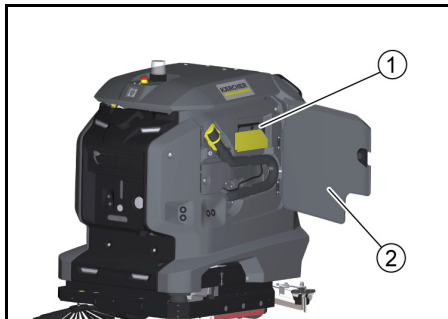
6. Fije las tablas y la madera escuadrada con los tornillos retirados anteriormente.
7. Tire del equipo hacia atrás para sacarlo de la subestructura de madera.

Carga de la batería

Cuando funciona con una estación de acoplamiento, la batería se carga automáticamente.

Sin estación de acoplamiento:

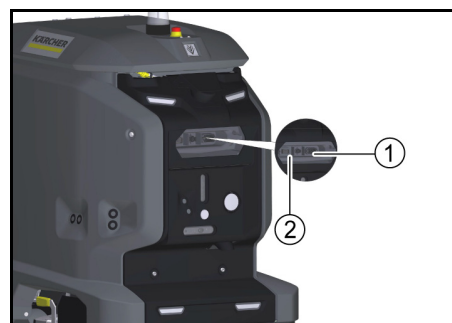
1. Abra la puerta del compartimento del equipo.



① Cable de carga

② Puerta del compartimento del equipo

- a Extraiga el cable de carga.
- b Si el equipo no dispone de un cable de carga, enchufe un cable de red con conector IEC en la toma de corriente del puerto de acoplamiento.



① Toma de corriente

② Puerto de acoplamiento

2. Introducir el conector de red del cable de carga en un enchufe. El proceso de carga se realiza automáticamente. El estado de carga se muestra en la pantalla táctil. No se puede usar el equipo durante el proceso de carga. Cuando la batería está completamente descargada, el proceso de carga dura aproximadamente 8 horas.
3. Al finalizar el proceso de carga, desconecte el conector de red de la toma de corriente.
4. Almacene el cable de alimentación en el compartimento del equipo o desenchufe el cable de alimentación del puerto de acoplamiento.

Descarga del manual de instrucciones

Después de la puesta en funcionamiento, el manual de instrucciones del equipo se puede mostrar en la pantalla táctil. Si el manual de instrucciones se descarga también en un smartphone, los pasos de funcionamiento pueden leerse paralelamente al manejo.

1. Escanee el siguiente código con el smartphone y siga las instrucciones de empleo para descargar el manual de instrucciones.



Comprobación del equipo

⚠ ADVERTENCIA

Peligro de accidentes

Un equipo dañado o defectuoso puede causar accidentes durante su funcionamiento.

Compruebe el equipo antes de su uso e informe de cualquier daño o fallo funcional a la persona encargada. No use el equipo si está dañado o si presenta fallos funcionales.

1. Compruebe la estanqueidad del equipo.
2. Compruebe el funcionamiento del pulsador de parada de emergencia.
3. Compruebe el funcionamiento de ambos interruptores de seguridad (¿el equipo frena cuando se sueltan ambos interruptores de seguridad en funcionamiento manual?).

⚠ PELIGRO

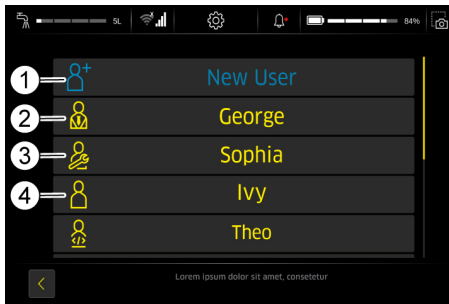
Peligro de accidente debido a un interruptor de seguridad defectuoso

Ponga el equipo fuera de servicio inmediatamente si uno o ambos interruptores de seguridad no vuelven de forma fiable a la posición no accionada.

4. Comprobar si los sensores presentan contaminación y limpiarlos si es necesario.
5. Reinicie el equipo.
6. Compruebe el funcionamiento de los sensores (¿el equipo detecta los obstáculos?).

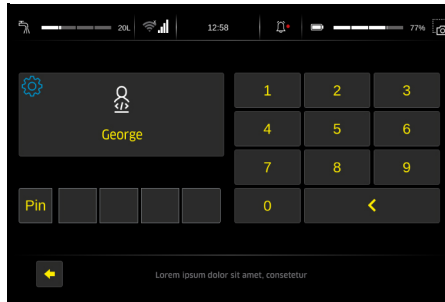
Conexión del equipo

1. Desbloquee el pulsador de parada de emergencia girándolo.
2. Pulse el botón de inicio. El equipo arranca.
3. Esperar hasta que se muestre la pantalla de inicio de sesión en la pantalla táctil.

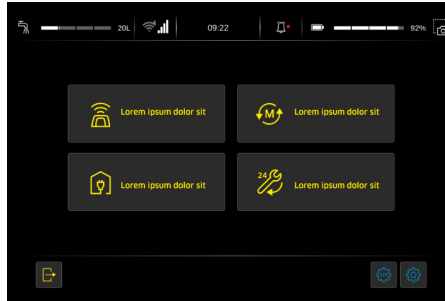


- 1 Nuevo usuario
- 2 Supervisor
- 3 Mantenimiento
- 4 Operador

- Supervisor: puede usar toda la gama de funciones del equipo y tiene todos los permisos de usuario.
 - Mantenimiento: solo disponible para el servicio de postventa.
 - Operador: puede usar la gama de funciones definidas por los permisos concedidos por Supervisor.
4. Crear un nuevo perfil de usuario.
 5. Asignar una contraseña.



Las funciones ejecutables se muestran en el menú principal.



- 1 Menú principal

Visualización del manual de instrucciones en la pantalla táctil

El manual de instrucciones que se adjunta con el equipo solo cubre las actividades para la puesta en funcio-

namiento y una ayuda en caso de fallos si la pantalla táctil está defectuosa. El manual de instrucciones completo puede consultarse y mostrarse en la pantalla táctil tras la puesta en funcionamiento del equipo.

1. Pulse el botón «Conservación diaria» en el menú principal.
2. Pulse el botón «Manual del operador» El manual de instrucciones se muestra en la pantalla táctil.

Normas para el funcionamiento autónomo

Para la ejecución fiable y segura del funcionamiento autónomo, deben respetarse las siguientes normas.

1. Limite la zona de limpieza con barreras en los siguientes puntos:
 - Descansillos
 - Escaleras
 - Escaleras mecánicas, pasillos móviles
 - Plataformas elevadoras
2. No coloque escaleras, andamios u otros obstáculos temporales en la zona de limpieza.
3. No deje cables eléctricos u otros obstáculos bajos (hasta 15 cm de altura) en la zona de limpieza.
4. Las rutas para el funcionamiento autónomo no deben pasar por ascensores ni por puertas de apertura automática. Use los ascensores y las puertas automáticas solo en modo manual.
5. Mantenga una distancia suficiente con respecto a las pilas de agua y las superficies de cristal.
6. Evite la incidencia de luz directa y fuerte (por ejemplo, sol bajo) sobre los sensores.
7. Evite cruzar límites de luz/sombra intensos.
8. En las rutas autónomas, no acercarse a las puertas enrollable de frente, sino en paralelo a la puerta.
9. Marque la zona de limpieza con señales de advertencia e identifique los suelos mojados.

Ayuda en caso de fallos

⚠ PELIGRO

Equipo que arranca involuntariamente

Peligro de lesiones, peligro de choques eléctricos

Desconecte el equipo antes de realizar trabajos en el mismo.

Desenchufe el conector de red o desconecte el equipo de la estación de acoplamiento.

- Purgar y eliminar el agua sucia y el agua fresca.
- En caso de fallos que no puedan subsanarse con la ayuda de esta tabla, ponerse en contacto con el servicio de postventa.

Fallos sin indicación en la pantalla

Störung	Behebung
El equipo no se puede encender	<ol style="list-style-type: none"> 1. Gire el pulsador de parada de emergencia situado en la parte inferior del equipo para desbloquearlo. 2. Comprobar las baterías y recargar en caso necesario. 3. Comprobar si los polos de la batería están conectados.



THANK YOU!
MERCI! DANKE! ¡GRACIAS!



Registrieren Sie Ihr Produkt und profitieren Sie von vielen Vorteilen.

Register your product and benefit from many advantages.

Enregistrez votre produit et bénéficiez de nombreux avantages.

Registre su producto y aproveche de muchas ventajas.

www.kaercher.com/welcome



Bewerten Sie Ihr Produkt und sagen Sie uns Ihre Meinung.

Rate your product and tell us your opinion.

Évaluer votre produit et dites-nous votre opinion.

Reseñe su producto y díganos su opinión.



2-2-SC-A4-GS-aw19869

www.kaercher.com/dealersearch

Alfred Kärcher SE & Co. KG

Alfred-Kärcher-Str. 28-40

71364 Winnenden (Germany)

